

PANORAMA^{dtv}, the video division of Wohler Technologies Inc.

PANORAMA^{dtv} Touch-It Plus™

12 input dual 7" high-resolution touch screen video and audio (AFV) monitor

October 25, 2006



Features:

- Dual 7" high-resolution LCD monitor offers video confidence monitoring for up to 12 channels
- Instant touch screen selection of video thumbnail provides a full screen display on the adjacent 7" LCD panel
- Durable, scratch-resistant touch screen panel with estimated life of 35 million + touches
- 4:3/16:9 aspect ratio programmed per input
- NTSC or PAL auto-sensing
- Active loop-out
- Provides audio confidence monitoring for up to 12 stereo pairs of analog audio – audio follows video (AFV)
- Internal mid-range speakers accommodate 2 audio channels for input monitoring
- Front panel includes headphone jack and line/speaker switch
- Digitally controlled video brightness, color, contrast and tint, programmable per input
- Shallow mounting depth for easy mobile truck rack mounting
- External power supply
- LCD on/off switch

Touch-It Plus combines a variety of features in a 3RU package, enabling audio and video confidence monitoring for 12 channels.

Up to 12 composite video signals are projected as thumbnail images onto a high-resolution 7" widescreen LCD monitor. The touch feature allows you to select a specific thumbnail image to appear on the full-sized target screen on the right, selectable at 4:3/16:9 aspect ratios.

Touch-It Plus is equipped with 12 stereo analog audio inputs, internal speakers, line out of selected audio and audio switching to follow selected video (AFV).

The front panel contains a headphone jack, internal speakers, and internal/external audio monitoring switches, providing an opportunity to route audio to the line out, internal speakers, or both.

The rear panel of all models features 12 video inputs on BNC connectors, twelve active loop-through outputs on BNC connectors, and 2 selected video outputs on BNC connectors.

The Touch-It Plus series is ideal for video monitoring in mobile trucks, news and transmission control rooms, duplication and postproduction applications. Built and rigorously tested in the USA, the Touch-It series is backed by both a warranty and a satisfaction guarantee return policy.



PANORAMA^{dtv}
THE VIDEO DIVISION OF WOHLER TECHNOLOGIES

Video Monitoring

Audio Monitoring

Alarm Systems

Level Metering

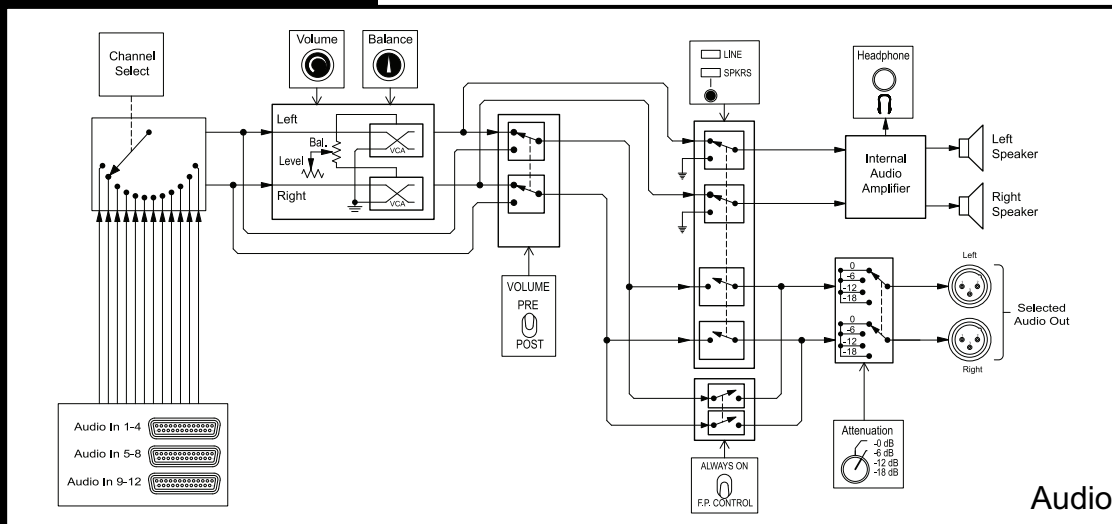
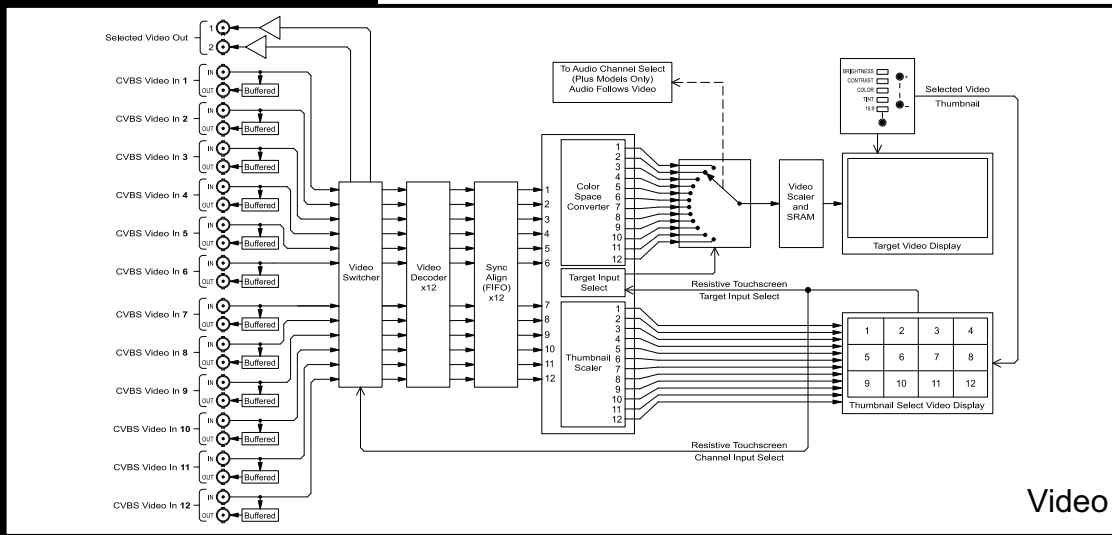
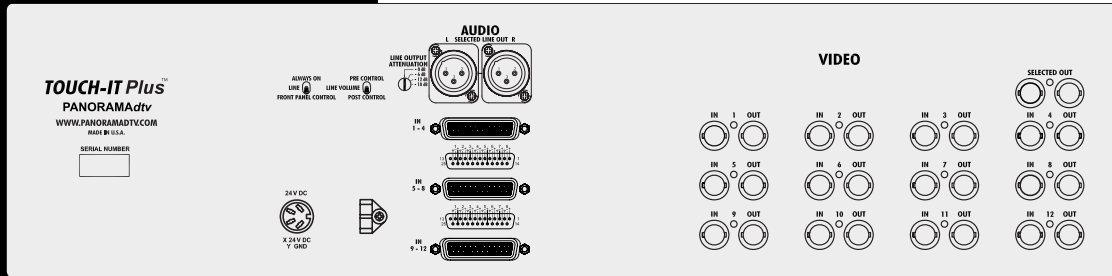
Toll Free (US): 1-888-5-WOHLER Tel: (510) 870-0810 Fax: (510) 870-0811 31055 Huntwood Avenue, Hayward, California 94544, USA

www.PANORAMA^{dtv}.com | sales@PANORAMA^{dtv}.com

Touch-It Plus™

12 input dual 7" high-resolution touch screen video and audio (AFV) monitor

Rear Panel:



System Diagram:

Specifications

Signal Inputs	75 ohm BNC (CVBS NTSC/PAL auto-detect) 12 pairs balanced audio on DB25S connectors
Signal outputs	Selected CVBS on BNC x2 Selected stereo audio out on XLR
Screen size	7" (177.8mm) diagonal
Screen type	TFT, Transmissive
Display modes	NTSC/PAL auto-sensing
Aspect ratio	selectable 4:3 on target screen
LCD active area	6.102" x 3.43" (155.00 x 87.12mm)
Picture controls	brightness, contrast, color, tint, aspect ratio
Resolution (H x V)	854 Pixel x RGB x 480 Lines
Dot pitch	0.0605 X 0.1815 mm
Pixel Response Time	7 ms rising (typ.) 18 ms falling (typ.)
Color configuration	RGB stripe
Viewing angle	top=50°, bottom=60° left=65°, right=65°
Contrast ratio	450 (typ.)
Brightness	400 (typ.) NITs (cd/m ²)
LCD lamp life	15,000 hours (avg.) to specified minimum reduction
Internal speakers	2 watts per channel
Chassis type	3U, 19" rack mounting (EIA-310D)
Dimensions (HxWxD)	7.125 x 19 x 4.25" (181 x 483 x 132mm)
Weight	13 lbs (5.1kg)
Power consumption	50 W
Power supply	100 to 240VAC, 50 to 60Hz, universal input CE & UL approved external power supply

PANORAMA dtv
THE VIDEO DIVISION OF WOHLER TECHNOLOGIES

Toll Free (US): 1-888-5-WOHLER Tel: (510) 870-0810 Fax: (510) 870-0811
31055 Huntwood Avenue, Hayward, California 94544, USA
www.PANORAMAdtv.com • sales@PANORAMAdtv.com