

PANORAMA^{adv}, the video division of Wohler Technologies, Inc.

Touch-It™

12 input dual 7" high resolution LCD video monitor and router



February 15, 2006

Touch-It™ is a Dual 7" wide screen format, high resolution LCD monitor panel with up/down tilt feature, in a 3RU package utilizing 12 Composite video inputs with 12 "thumbnail" images appearing on the left LCD monitor and the selected image appearing in the "target" screen on the right at full size, and at a "selected video output" BNC. Image selection is accomplished utilizing touch screen panel on left "thumbnail" images, selected image to be indicated on thumbnail by highlighted border. The target screen is selectable 4:3, 16:9 aspect ratios. Video inputs on BNC's have active loop outputs on BNC's, eliminating the need for termination selection.

Features:

- Dual high resolution 7" LCD panel, offering video confidence monitoring for up to 12 channels
- Instant touch screen selection of anyone of the 12 video input thumbnail images, providing full screen display on the adjacent 7" high resolution LCD monitor
 - "Target" 7" LCD screen provides selectable 4:3/16:9 aspect ratio memorized per input
 - Auto switch either NTSC/PAL. No mixed signals
 - Active video loop outputs eliminate the need for termination selection and possible related errors
- **Plus Model** provides audio confidence monitoring for up to 12 stereo pairs of analog audio – audio monitor follows selected video
 - Shallow mounting depth to facilitate mobile truck rack mounting
 - External desktop type power supply
- Digitally controlled video brightness, color, contrast and tint with up/down button interface memorized per input
 - LCD Power on/off switch
 - Durable scratch resistant touch screen panels
 - Excellent touch screen life – 35 million + touches

Touch-It Plus™ is equipped with 12 stereo analog audio inputs, internal speakers, line out of selected audio – audio switching to follow selected video.

This unit is ideal for video monitoring of video feeds for mobile trucks, news and transmission control rooms, duplication and post production applications.

Built and rigorously tested in the USA, the Touch-It is backed by a strong warranty and a "Satisfaction Guaranteed" return policy.



PANORAMA^{adv}
THE VIDEO DIVISION OF WOHLER TECHNOLOGIES

Video Monitoring

Audio Monitoring

Alarm Systems

Level Metering

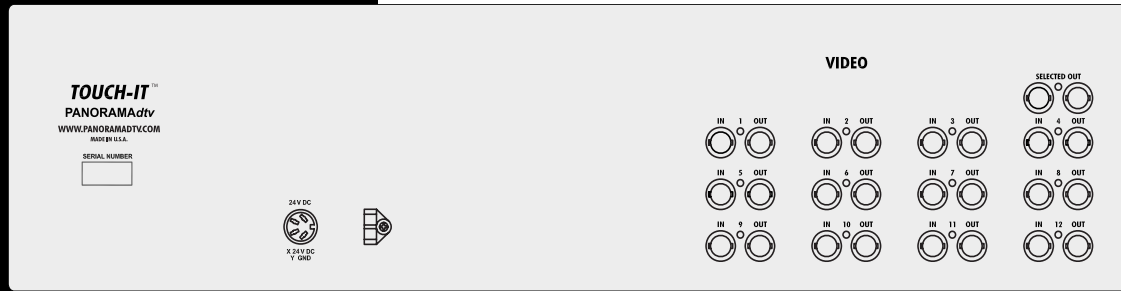
Toll Free (US): 1-888-5-WOHLER Tel: (510) 870-0810 Fax: (510) 870-0811 31055 Huntwood Avenue, Hayward, California 94544, USA

www.PANORAMA^{adv}.com | sales@PANORAMA^{adv}.com

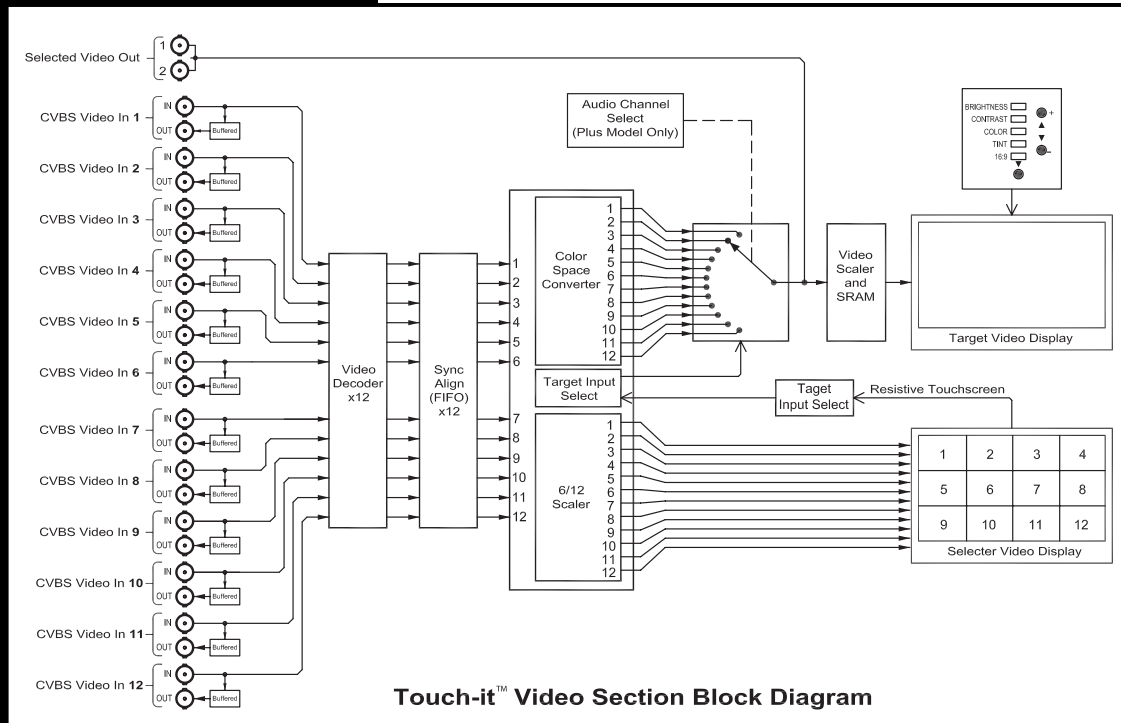
Touch-It™

12 input dual 7" high resolution LCD video monitor and router

Rear Panel:



System Diagram:



Touch-it™ Video Section Block Diagram

Specifications:

Signal Inputs	75 ohm BNC (CVBS NTSC/PAL auto-detect)
Screen size	7" (177.8mm) diagonal
Screen type	TFT, Transmissive
Display modes	NTSC/PAL autosensing
Aspect ratio	selectable 4:3 on target screen
LCD active area	6.102" x 3.43" (155.00 x 87.12mm)
Picture controls	brightness, contrast, color, tint, aspect ratio
Resolution (dots x lines)	854 x RGB x 480
Dot pitch	0.0605 X 0.1815 mm
Pixel Response Time	7 ms rising (typ.) 18 ms falling (typ.)
Color configuration	RGB stripe
Viewing angle	top=50°, bottom=60° left=65°, right=65°
Contrast ratio	450 (typ.)
Brightness	400 (typ.) NITs (cd/m ²)
LCD lamp life	15,000 hours (avg.) to specified minimum reduction
Chassis type	3U, 19" rack mounting (EIA-310D)
Dimensions (HxWxD)	7.125 x 19 x 4.25" (181 x 483 x 132mm)
Weight	13 lbs (5.1kg)
Power consumption	40 W
Power supply	100 to 240VAC, 47 to 63Hz, universal input CE & UL approved external power supply

*Preliminary product specifications are subject to improvement