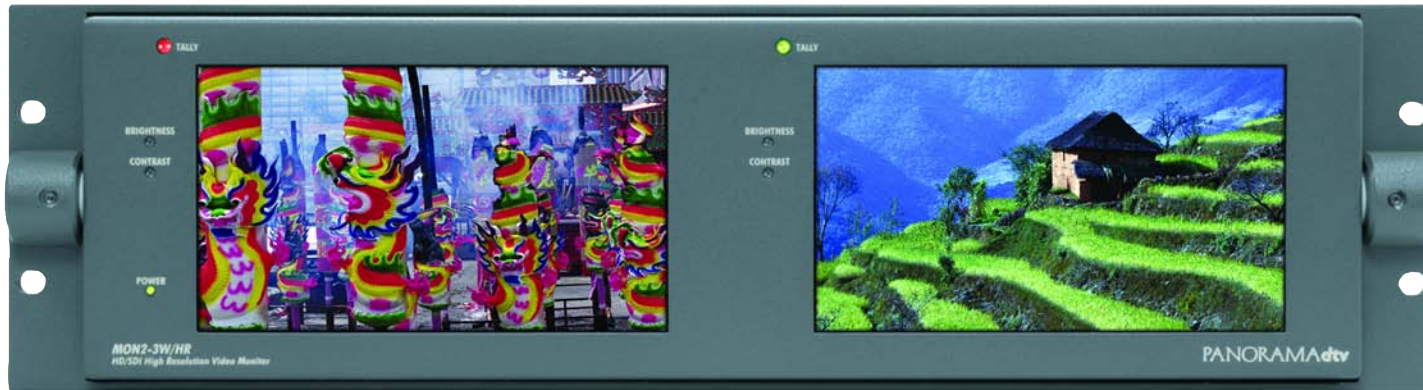


PANORAMA^{dtv}, the video division of Wohler Technologies, Inc.

PANORAMA^{dtv} MON2-3W/HR

Dual 7" HD-SDI and SD-SDI High Resolution LCD Color Monitor

June 29, 2005



The MON2-3W/HR is a dual 7" wide screen format high resolution LCD monitor designed to fit a standard 3U rackspace. The monitor accepts SDI and HD-SDI, auto sensing inputs with buffered outputs of the input signal. Front panel controls feature adjustable brightness and contrast recessed trim pots.

Key benefits of Panorama's new design are the strikingly crystal clear picture and wide viewing angle from the remarkably high resolution TFT LCD screen. Panorama's new **Direct Digital Drive™** design offers completely accurate color reproduction from the all digital signal path which directly drives the LCD panel.

This unit is Ideal for video monitoring of video feeds for mobile trucks, news and transmission control rooms, duplication and post production applications.

Built and rigorously tested in the USA, the MON2-3W/HR is backed by a strong warranty and a "Satisfaction Guaranteed" return policy.

Features:

- 3RU Dual 7" LCD Color Video Monitor
- 2 HD-SDI or SD-SDI (auto-sensing) Inputs with buffered HD-SDI/SD-SDI Outputs
 - All Digital Signal Path utilizing Panoramadtiv™ Direct Digital Drive™
 - 16:9 Aspect Ratio
 - Wide Viewing Angle
- Front Panel Trim Pot Controls for Brightness and Contrast
- Minimal Power Dissipation for a Low Operating Temperature
 - Low Power Consumption
 - Power Indication
- Internal Universal AC Mains Power Supply



Video Monitoring

Audio Monitoring

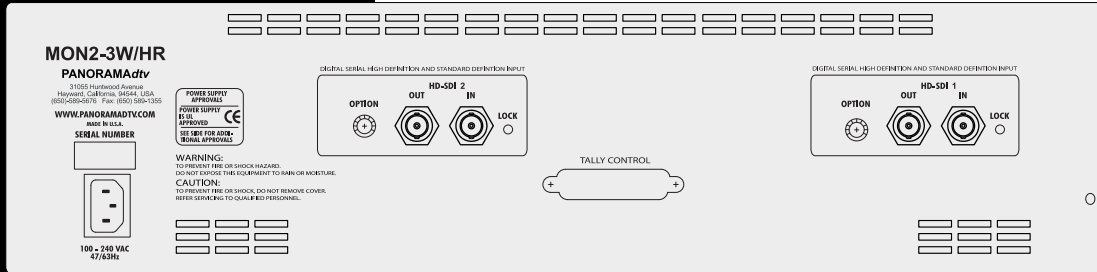
Alarm Systems

Level Metering

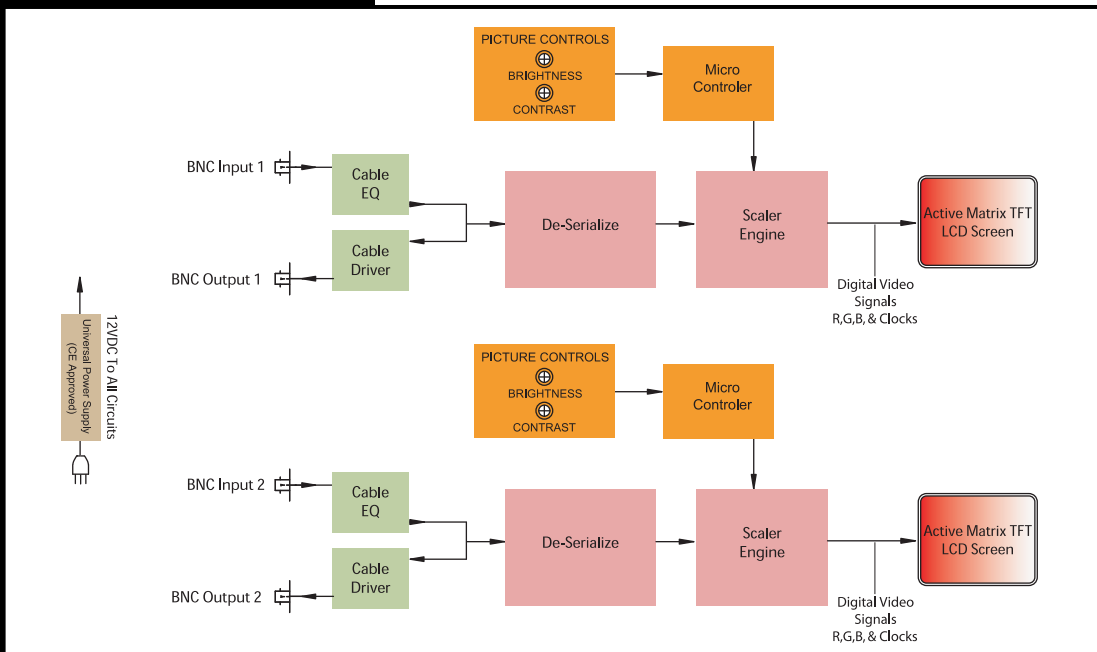
PANORAMA^{dtv} MON2-3W/HR

Dual 7" HD-SDI and SD-SDI High Resolution LCD Color Monitor

Rear Panel:



System Diagram



Specifications:

Signal Inputs	75 ohm BNC (SMPTE 259M, SMPTE 292M autodetect)
Screen size	7" (177.8mm) diagonal
Screen type	TFT, Transmissive
Display modes	NTSC/PAL autosensing
Aspect ratio	16:9
LCD active area	6.102" x 3.43" (155.00 x 87.12mm)
Picture controls	brightness & contrast
Resolution (dots x lines)	854 x RGB x 480
Dot pitch	0.0605 X 0.1815 mm
Pixel Response Time	7 ms rising (typ.) 18 ms falling (typ.)
Color configuration	RGB stripe
Viewing angle	top=50°, bottom=60° left=65°, right=65°
Contrast ratio	450 (typ.)
Brightness	400 (typ.) NITS (cd/m ²)
LCD lamp life	15,000 hours (avg.) to specified minimum reduction
Chassis type	3U, 19" rack mounting (EIA-310D)
Dimensions (HxWxD)	7.125 x 19 x 5.2" (181 x 483 x 132mm)
Weight	11.3lbs (5.1kg)
Power consumption	20W
Power supply	100 to 240VAC, 47 to 63Hz, universal input CE & UL approved internal power supply

*all product specifications are subject to improvement