

PANORAMA<sup>dtv</sup>, the video division of Wohler Technologies, Inc.

# PANORAMA<sup>dtv</sup> MON1/7W-HR

3RU, Desktop, Half-Rack, 7" HD-SDI and SD-SDI High Resolution LCD Color Monitor

September 14, 2005



## *Features:*

- 3RU, Desktop, Half-Rack, 7" LCD Color Video Monitor
- Front Panel Trim Pot Controls for Brightness and Contrast
- 1 HD-SDI or SD-SDI (auto-sensing) Input
- Minimal Power Dissipation / Low Operating Temperature
- with buffered HD-SDI/SD-SDI Output
- Low Power Consumption
- All Digital Signal Path utilizing
- LED Power Indication
- Panoramadtv Direct Digital Drive
- Internal Universal AC Mains Power Supply
- 16:9 Aspect Ratio
- Fold-Out Feet for Tilt-Up Viewing
- Wide Viewing Angle
- Mounting Holes for Optional Installation
- Desktop or In-Rack Video Monitoring
- into a Desk or a Console

The MON1/7W-HR model is designed as a desktop model, being mounted in a standard 3RU half-rack width chassis, with fold out front feet for tilt up viewing and mounting holes for optional installation into a desk or console.

The monitor accepts SDI and HD-SDI, auto sensing input with a buffered output of the input signal. Front panel controls feature adjustable brightness and contrast recessed trim pots.

Key benefits of Panorama's new design are the strikingly crystal clear picture and wide viewing angle from the remarkably high resolution TFT LCD screen. Panorama's new **Direct Digital Drive** design offers completely accurate color reproduction from the all digital signal path which directly drives the LCD panel.

This unit is Ideal for video monitoring of video feeds for mobile trucks, news and transmission control rooms, duplication and post production applications.

Built and rigorously tested in the USA, the MON1/7W-HR is backed by a strong warranty and a "Satisfaction Guaranteed" return policy.



Video Monitoring

Audio Monitoring

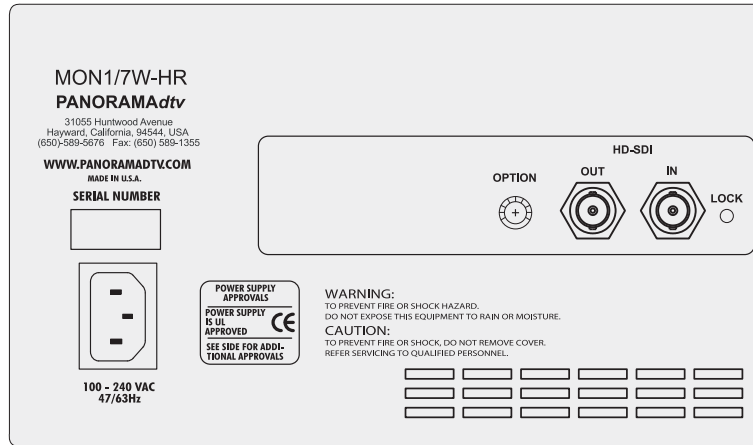
Alarm Systems

Level Metering

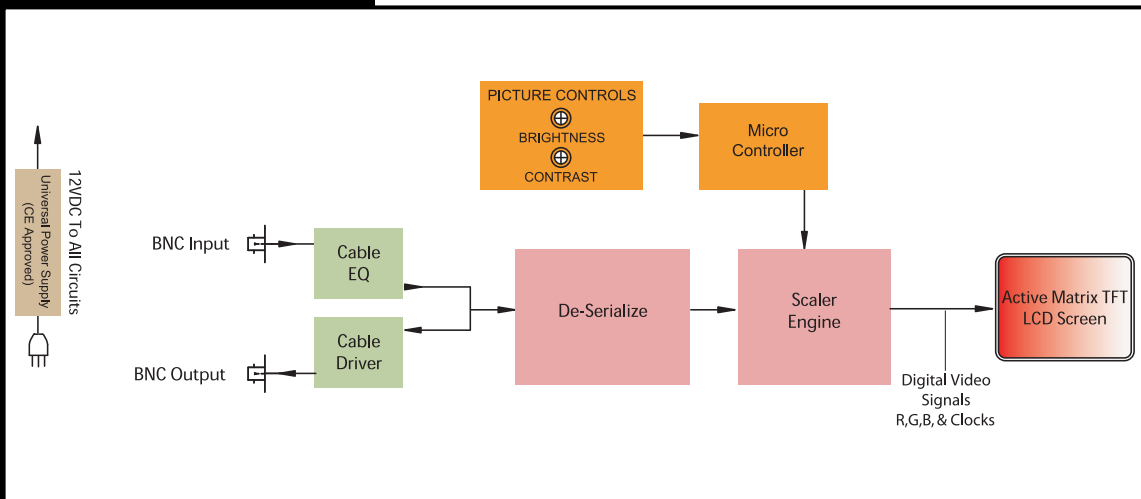
# PANORAMA<sup>dtv</sup> MON1/7W-HR

3RU, Desktop, Half-Rack, 7" HD-SDI and SD-SDI High Resolution LCD Color Monitor

## Rear Panel:



System Diagram



## Specifications:

Signal Input	75 ohm BNC (SMPTE 259M, SMPTE 292M auto sensing)
Screen size	7" (177.8mm) diagonal
Screen type	TFT, Transmissive
Display modes	NTSC/PAL autosensing
Aspect ratio	16:9
LCD active area	6.102" x 3.43" (155.00 x 87.12mm)
Picture controls	brightness & contrast
Resolution (dots x lines)	854 x RGB x 480
Dot pitch	0.0605 X 0.1815 mm
Pixel Response Time	7 ms rising (typ.) 18 ms falling (typ.)
Color configuration	RGB stripe
Viewing angle	top=50°, bottom=60° left=65°, right=65°
Contrast ratio	450 (typ.)
Brightness	400 (typ.) NITs (cd/m <sup>2</sup> )
LCD lamp life	15,000 hours (avg.). to specified minimum reduction
Chassis type	3U, 19" rack mounting (EIA-310D) in Tektronix® Tub
Dimensions (HxWxD)	8.375 x 5.125 x 6.375" (213 x 130 x 161.9mm)
Weight	3.7lbs (1.67kg)
Power consumption	10W
Power supply	100 to 240VAC, 47 to 63Hz, universal input CE & UL approved internal power supply

\*All product specifications are subject to improvement



Toll Free (US): 1-888-5-WOHLER Tel: (650) 589-5676 Fax: (650) 589-1355  
 31055 Huntwood Avenue, Hayward, California 94544, USA  
[www.PANORAMAdtv.com](http://www.PANORAMAdtv.com) • [sales@PANORAMAdtv.com](mailto:sales@PANORAMAdtv.com)