

# Vinten

## AutoCam™

# Multicontroller II

## Compact Control System

The Multicontroller II can control up to six pan & tilt heads, storing up to 100 head and lens positions for each camera at any one time, a total of 600 in all.

This economical and compact controller recalls shots and repositions to a selected camera location in a smooth and co-ordinated movement with all axes arriving at the same time. Speed of transition between shots is simply determined by the operator by setting the speed knob.

A three-function proportional rate joystick gives smooth manual positioning of the head. Pan & tilt rates are contoured with the level of joystick movement determining the speed of camera motion. Rotation of the joystick controls the zoom, while a separate rotary knob controls the focus.

The Multicontroller II has been designed to control any of the AutoCam™ range of pan & tilt heads and can easily be adjusted to accommodate user preference as well as uses in different applications.





# Vinten

## AutoCam™

# Multicontroller II

## Compact Control System

### Technical Specification

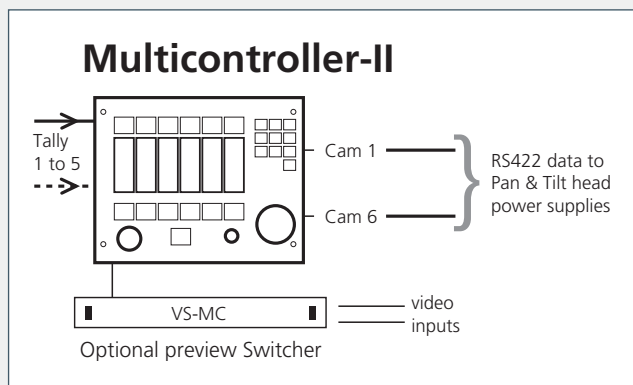
Number of Cameras Controlled: 6  
 Shot Storage: per camera - 100 shots  
 total - 600 shots  
 Baud Rates: 2400, 9600, 19200

### Flush mounting

Height: 226mm / 8.9in  
 Width: 295mm / 11.6in  
 Depth: 98mm / 3.9in

### Desktop Shell

Height: 230mm / 9.1in  
 Width: 299mm / 11.8in  
 Depth: 81mm-134mm / 3.2in- 5.3in  
 Panel Weight: 2.8kg / 6.2lbs (5.5kg / 12.1lbs with case)  
 Power Supply Requirement: 100-240V AC 50/60 Hz



# Vinten

### Contact information

**UK**  
 Telephone +44 (0)1284 752121  
 Facsimile +44 (0)1284 750560

**USA**  
 Telephone +1 (845) 268 0100  
 Facsimile +1 (845) 268 0113

**Website** [www.vinten.com](http://www.vinten.com)

**Singapore**  
 Telephone +65 629 75 776  
 Facsimile +65 629 75 778

**France**  
 Telephone +33 (01) 45 13 18 75  
 Facsimile +33 (01) 43 77 15 08

[www.rademecbroadcast.co.uk](http://www.rademecbroadcast.co.uk)

**Germany**  
 Telephone +49 (0) 671/483 43-30  
 Facsimile +49 (0) 671/483 43-50

**Japan**  
 Telephone +81 3 3478 6017  
 Facsimile +81 3 3478 6018

**Email** [contact@vinten.com](mailto:contact@vinten.com)