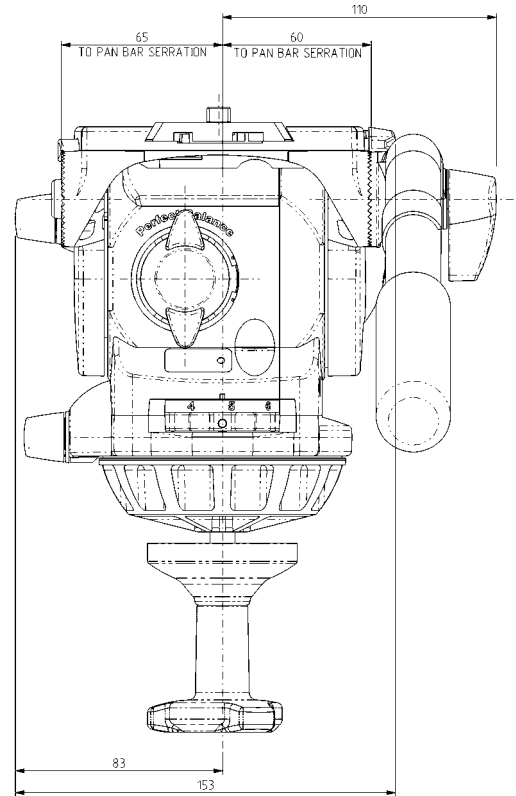
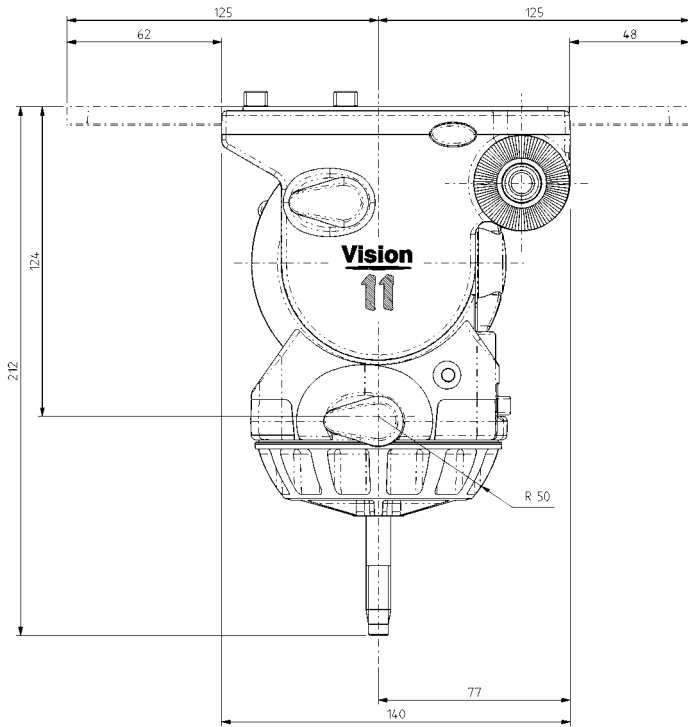


Vision 11 Pan & Tilt Head

Grey - 3442-3

Black - 3842-3

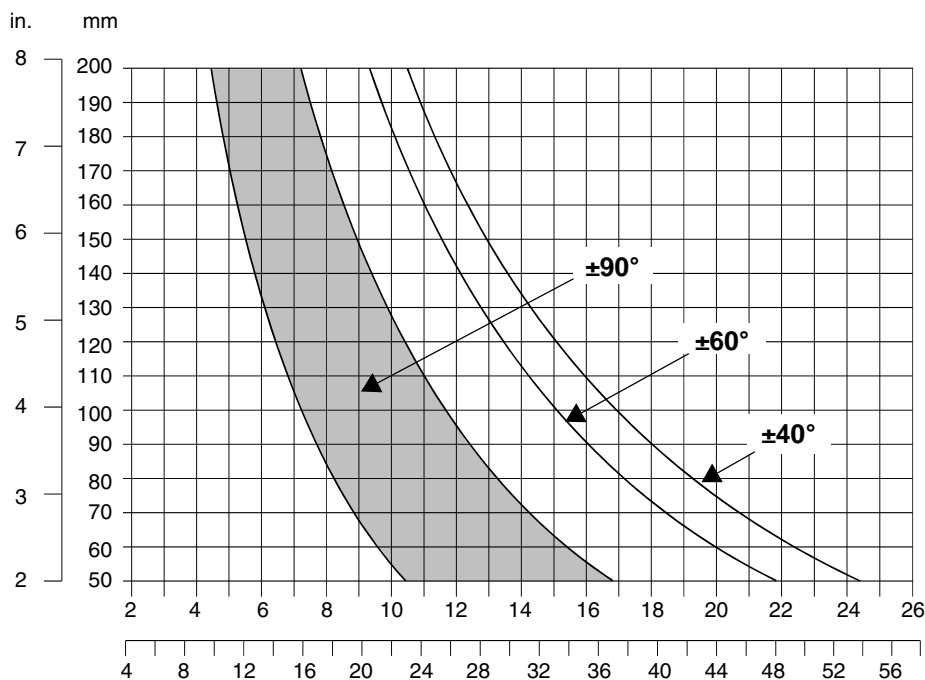


Weight

Head	2.7 kg (5.9 lb)
Pan bar	0.2 kg (0.4 lb)
Bowl clamp	0.14 kg (0.3 lb)
Height to mounting face	15 cm (5.9 in.)
Length	14 cm (5.5 in.)
Width	12.5 cm (4.9 in.)
Typical payload	10.5 kg (23 lb) - See balance graph
Tilt range	$\pm 90^\circ$
Pan range	360°
Tripod fixing	100 mm ball

Technical Data

Vinten



The graph shows the range of load and C of G height that can be maintained in balance. The shaded area of graph corresponds to those load/C of G combinations that can be balanced over the full tilt range. The areas to the right indicate the progressively reducing tilt range with greater load and higher C of G.

Where a load/C of G combination falls outside of the graph it will be necessary to increase or decrease the weight or the C of G height - if possible - to enable the head to balance the load.

Main assemblies

Vision 11 pan and tilt head - grey	3441-3
Vision 11 pan and tilt head - black	3841-3
Bowl clamp knob assembly	3330-30
Pan bar and clamp - grey	3219-78
Pan bar and clamp - black	3219-101
Camera mounting plate	3449-900SP

Optional accessories

ENG Quickfit Automatic Adaptor (with wedge plate) - grey	3371-3
ENG Quickfit Automatic Adaptor (with wedge plate) - black	3471-3
Quickfit wedge	3763-11
VHS pin adaptor	3330-29
100 mm ball to 4-hole flat base	3330-16

Vinten Broadcast Limited
Western Way, Bury St. Edmunds
Suffolk IP33 3TB, United Kingdom
Telephone +44 (0)1284 752121
Telefax +44 (0)1284 750560
Sales Office Fax +44 (0)1284 757929

Vinten GmbH
Gebäude 16
Planiger Straße 34
D-55543 Bad Kreuznach, Germany
Telephone +49 (0) 671/483 43-30
Telefax +49 (0) 671/483 43-50

Vinten Japan KK
3-37-5 Sendagaya
Shibuya-Ku, Tokyo 151-0051, Japan
Telephone +81 3-3478-6017
Telefax +81 3-3478-6018

Vinten Inc.
709 Executive Boulevard
Valley Cottage, NY 10989, USA
Telephone +1 845 268 0100
Telefax +1 845 268 0113
Toll Free 1 888 4 VINTEN (Service)
1 888 2 VINTEN (Sales)

Vinten Broadcast s.a.r.l.
171, Avenue des Grésillons
92635 GENNEVILLIERS Cedex
France
Telephone +33 08 20 82 13 36
Telefax +33 08 25 82 61 81

Vinten Asia Pacific Pte Ltd
6 New Industrial Road
#02-02 Hoe Huat Industrial Building
Singapore 536199
Telephone +65 62975776
Telefax +65 62975778

Vinten