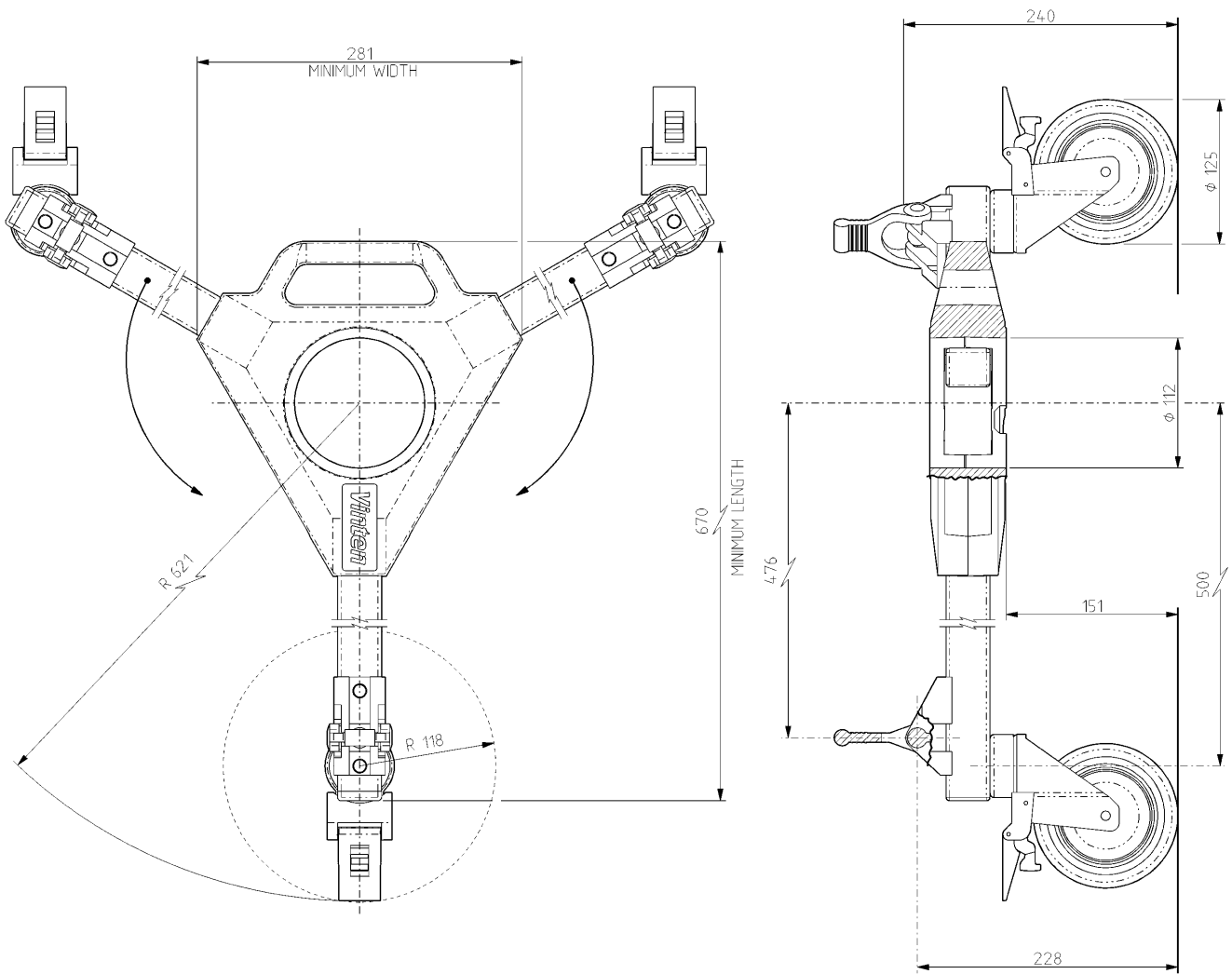


# Lightweight Dollies



Type	Leg Radius	Wheel Diameter	Weight	Cable Guards	Track Locks	Brakes	Load Capacity
<b>V3955-0002</b> ENG OB Dolly	50 cm (19.7 in.)	12.5 cm (5 in.)	5.4 kg (11.9 lb)	No	No	Yes	40 kg (88.2 lb)
<b>V3955-0001</b> ENG Studio Dolly	50 cm (19.7 in.)	10 cm (3.9 in.)	5.8 kg (12.8 lb)	Yes	Yes	Yes	50 kg (110.3 lb)
<b>V3955-0003</b> Small ENG Dolly	45 cm (17.7 in.)	12.5 cm (5 in.)	5.3 kg (11.7 lb)	No	No	Yes	50 kg (110.3 lb)
<b>3497-3E</b> EFP OB Dolly	52 cm (20.7 in.)	12.5 cm (5 in.)	7.7 kg (17 lb)	No	No	Yes	100 kg (221 lb)
<b>3497-3G</b> EFP Studio Dolly	52 cm (20.7 in.)	12.5 cm (5 in.)	9.1 kg (20 lb)	Yes	No	Yes	100 kg (221 lb)

## Technical Data

# Vinten