

# WALLVIEW™ 300 PTZ

## WALL-MOUNTED 3 CCD HIGH RESOLUTION PAN/TILT/ZOOM CAMERA SYSTEM

Vaddio's WallVIEW 300 PTZ Camera is designed to provide system integrators with an easy to install wall-mounted high resolution PTZ camera system.

The system includes a Sony® BRC 300 PTZ Camera featuring Sony's new 3 CCD mega-pixel high resolution camera technology. The camera is equipped with a 12X optical auto-focus zoom lens

allowing for a zoom capability of up to 48X zoom when used in combination with its 4X digital zoom. The camera's pan/tilt drive features a pan range of 340° and a tilt range of 120°. Additional features include the ability to change the aspect ratio from 4:3 to 16:9 for different display aspect ratios, optional analog/RGB component card, and a heavy duty wall mount bracket that matches the contour of the camera. The camera is equipped with Vaddio's EZCamera™ Cabling system which allows the installer to use Cat. 5 cabling to run power, video and camera control. Also included is Vaddio's PowerRite™ Power Supply. The PowerRite system regulates the right amount of power needed for the camera over Cat. 5 cabling.



## WHAT'S INCLUDED

The Vaddio WallVIEW 300 PTZ includes the following items:

- Sony BRC-300 PTZ Camera
- Sony Multi-Function IR Remote Control
- Heavy duty camera wall-mount bracket
- EZCamera Shoe Interface
- EZCamera Quick-Connect Box
- EZCamera Control Adapter
- PowerRite Power Supply
- 12' (3.66m) S-Video cable
- 12' (3.66m) Composite video cable

## TECHNICAL FEATURES

### Sony BRC-300 PTZ Camera

A 3 CCD mega-pixel PTZ camera that is designed for the highest picture quality found in an integrated pan/tilt/zoom camera system. Featuring

accurate color reproduction high resolution SXGA imaging. The BRC-300 incorporates a 12X optical auto-focus zoom lens with 4X digital zoom. Other features include switchable 16:9 or 4:3 aspect ratio, image flip, analog RGB, Y/C and composite video and a VISCA protocol through RS-232.

An optional interface card expansion slot in the back of the camera can support the following expansion cards (see price list for all cards):

- Sony BRBK-301 Analog/RGB Component Card
- Sony BRBK-302 SDI Card
- Sony BRBK-303 Optical Multiplex Card

### Heavy Duty Wall-Mount Bracket

Custom PTZ camera wall-mount bracket designed exclusively for the Sony BRC-300 PTZ Camera. Heavy-duty metal construction with cable access openings for in-wall or exposed wall installations. Includes tripod screw and mounting hardware.

## TECHNICAL FEATURES CONTINUED

### EZCamera Cabling System

Allows installer to use Cat. 5 cable to run power, analog RGB, video and camera control. Video Balun technology is used to extend the range of the video signal and to allow it to work on Cat. 5 cable. The Vaddio PowerRite Camera Power System includes a high output power supply and a power regulator to maintain the right voltage over Cat. 5 cable.

### EZCamera Shoe Interface

A plug-in shoe that intergrates the Sony BRC-300 Camera into the EZCamera Cable System. The shoe interface converts camera outputs to four RJ-45 jacks. The first jack provides power and the second jack provides primary camera control signaling. The third provides daisy-chain camera control to additional PTZ cameras and the fourth jack provides both Y/C and composite video and external sync for video.

### EZCamera Quick-Connect Box

This interface box converts power, S-Video and composite video and external sync into two Cat. 5 cables. An optional rack mount adapter is available.

## TECHNICAL SPECIFICATIONS

Image Device	BRC-300
CCD Effective Pixels	4:3 Mode: 960 (H) x 720 (V) 16:9 Mode: 1,152 (H) x 648 (V)
Effective Pixels	768 (H) x 494 (V)
Signal System	NTSC/PAL
Horizontal Resolution	600 TV Lines (4:3 mode) (NTSC)
Synchronization	Internal/External
Focal Length	f=3.6 to 43.2mm (F1.6 to F2.8)
Angle of View (H)	4:3 Mode: 3.3° (tele end) to 37.8° (wide end) 16:9 Mode: 4.0° (tele end) to 45.4° (wide end)
Minimum Object Distance	800mm (tele end); 10mm (wide end)
Pan/Tilt Angle	+/-170° (pan); +90°/-30° (tilt)
Pan/Tilt Speed	0.25° per sec to 60° per sec (pan/tilt)
Min Illumination	7lx @F1.6
S/N Ratio	More than 50dB
Shutter Speed	1/10,000 to 1/4 sec.
Gain	Auto/Manual (-3 to 18dB, 3dB steps) Switchable
White Balance	Auto; Indoor; Outdoor; One-Push WB; Manual
Position Preset	Six Positions
Analog Output	VBS (BNC); Y/C (4-pin Mini DIN)
Camera Control	RS-232C (VISCA)
Back Light Compensation	On/Off
Operation Temperature	0° to 40°C (32°F to 104°F)
Storage Temperature	-20° to 60° C (-4°F to 104°F)
Power Requirement	24 VDC for WallVIEW 300 PTZ PowerRite Adapter
Power Consumption	21.6W
Dimensions	Depth 8 3/8"/211mm Width 7-1/8"/180.1mm Height 8"/205mm
Weight	5lbs15oz/2.7kg

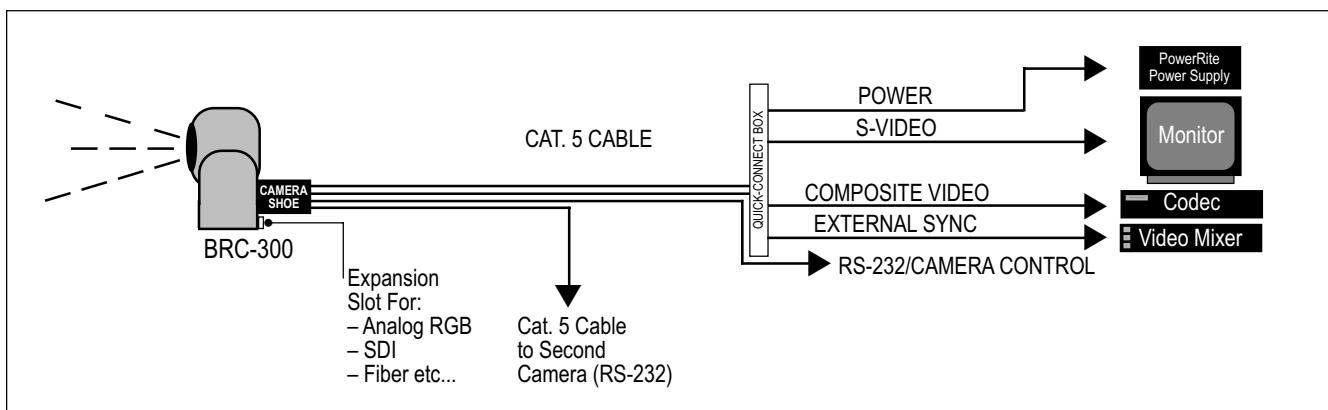


Figure 1 – EZCamera Cable System with a BRC-300 Quick-Connect Box.

**vaddio**

4800 Quebec Avenue North • Minneapolis, MN 55428  
Toll Free: 800.572.2011 • Phone: 763.971.4400 • Fax: 763.971.4464  
www.vaddio.com