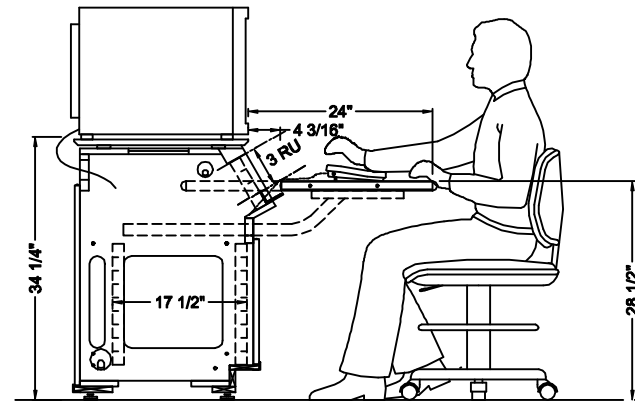
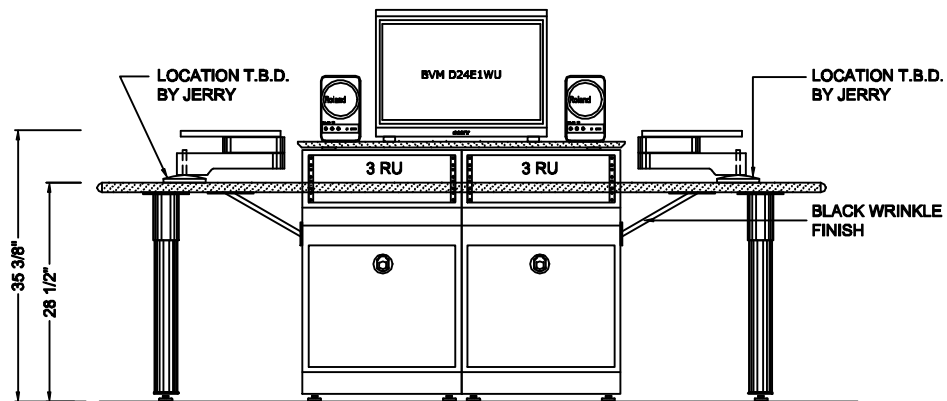


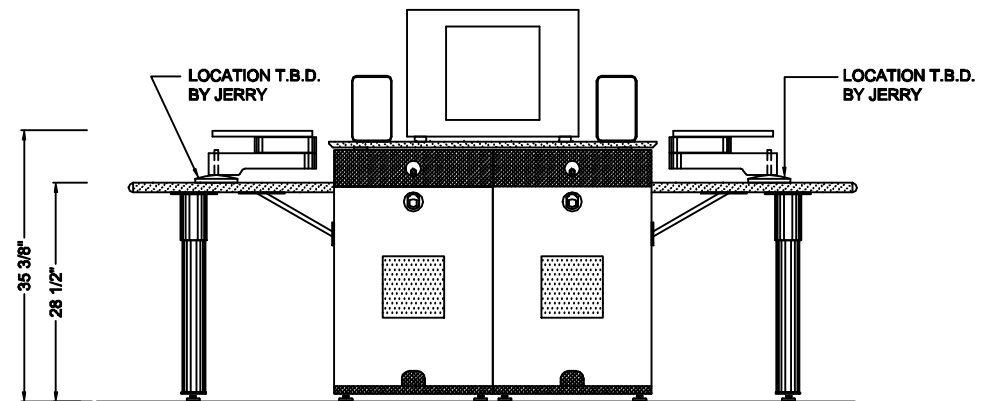
PLAN VIEW



SECTION



FRONT VIEW



REAR VIEW