

Editing + Graphics Consoles

ICON

Model: M-4IC

The **"ICON"** combines low end cost with high end ergonomics in a compact package. Countertop is independently height adjustable and may be fitted with a variety of articulating arms and shelf options.

Base model console includes the following:

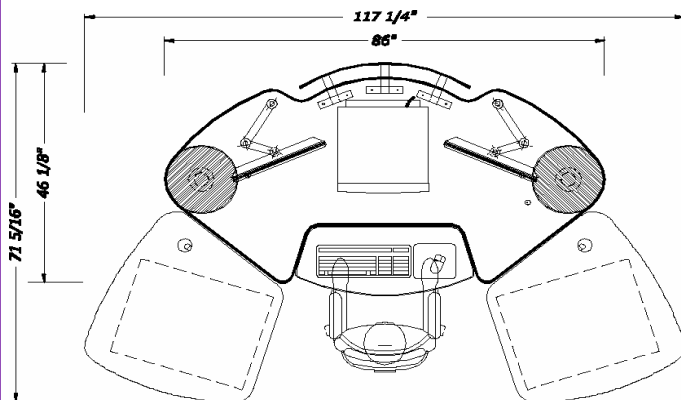
- adjustable steel base, charcoal grey finish, modesty panel integral wire management, floor levelers;
- Articulating Keyboard/Tablet Platform 48"W x 14" D ;
- Height Adjustable Desktop (25 1/4 "H - 39")
- laminate or linoleum desktop finish with black bumper edge.



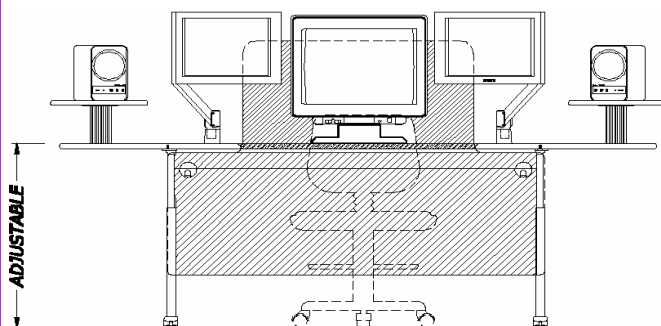
(shown with **optional** FP-7000 LCD monitor arms, speaker modules, equipment carts, plexi valence)

base model: **\$2,300**

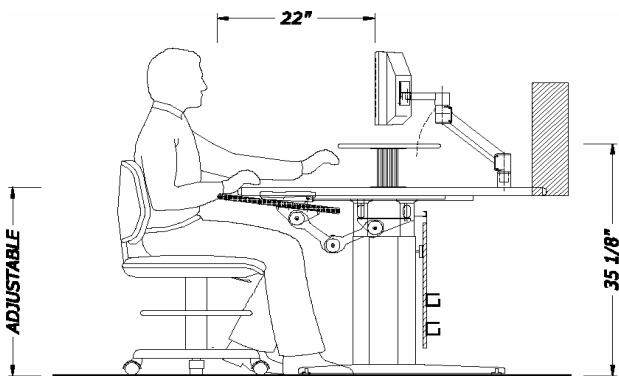
(shipping + handling additional)



PLAN



ELEVATION



SECTION

Optional Finishes

multi-ply wood edge with laminate top	\$ 345
multi-ply edge with real wood veneer top	630
solid wood (maple, oak, cherry, mahogany)	1,050

Optional Accessories

EC-1S-equipment cart 1 short	\$ 635
compound-articulating arm with shelf	475
FP-7000 articulating LCD arm	265
sanded plexi-glass curved rear valence	380
motorized rear deck	440
SM-1 speaker modules, 14" radial shelf	310/pr