



TBC's "**CROSSFIRE**" console is a low cost, hi-style, ergonomic solution for all non-linear editing applications. This sleek, low profile design, is engineered for easy assembly and ready for immediate shipment.

- 3 bay @ 3 r.u. angled turret; vented top and bottom; hinged access panel;
- extended bridge for 3 x 20" monitors and 2 speakers
- open "X" frame construction with modesty panel and complete cable management; floor levelers.



Model X-K3: **\$2,275**

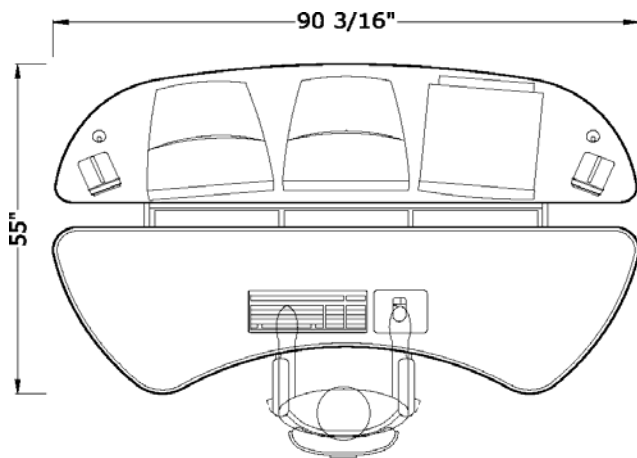
(shipping + handling additional)

**Finishes** (view at [www.tbconsoles.com](http://www.tbconsoles.com))

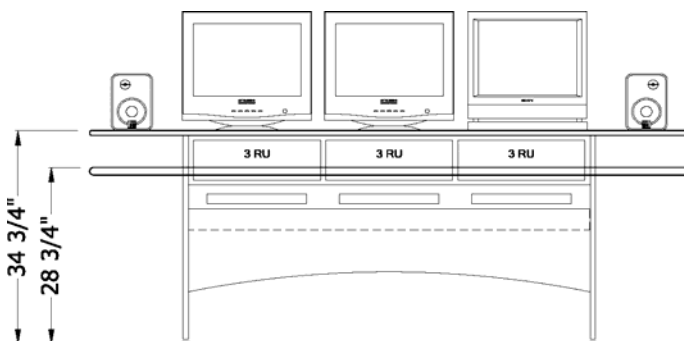
standard linoleum countertop	\$0
standard laminate countertop	0
multi-ply wood edge with laminate c-top	345
multi-ply edge with real wood veneer c-top	625

**Optional Accessories**

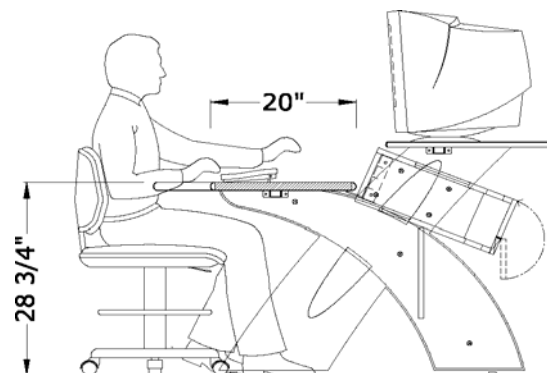
<b>EC1-12</b>	12 ru equipment cart, 1-bay	\$ 635
<b>EC1.5-12</b>	12 ru equipment cart, 1.5-bay	835
<b>EC2-12</b>	12 ru equipment cart, 2-bay	935
<b>EC1-24</b>	24 ru equipment cart, 1-bay	735
<b>CT-XK</b>	matching client/producer table	1925



**PLAN**



**ELEVATION**



**SECTION**