



The gentle, wide-sweeping arc of the "SWOOP 3a" is combined with an angled back 3 x 3 ru turret which is within easy reach and sightline of the operator. The monitor shelf supports 3 x 20" monitors, can be replaced with TBC's optional "monitor beam system" for LCD flat panels (shown at right).

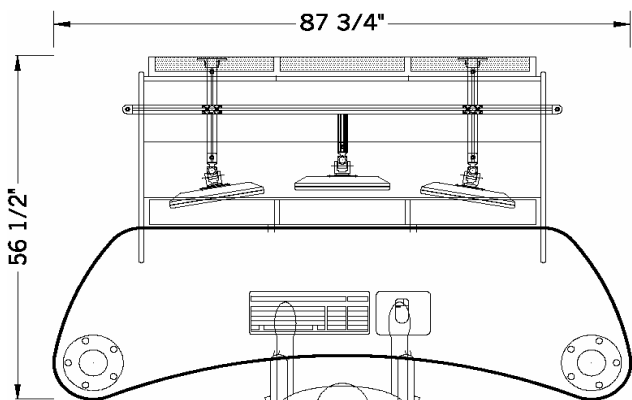
- 3 bay x 3 ru turret angled back @30 degrees;
- vented rear access panels in base.
- front metal post legs with floor levelers;
- L+R side end panels (p-lam w/bumper edge);
- plastic laminate or linoleum desktop finish with black bullnose bumper edging



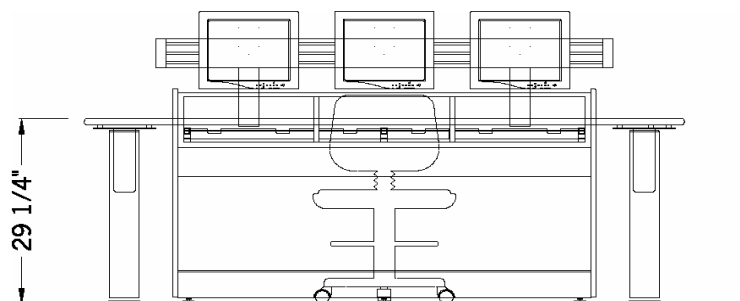
(shown with **optional** footrest; aluminum front legs; LCD mt. beam system; frosted acrylic desktop)

base model: **\$3,950**

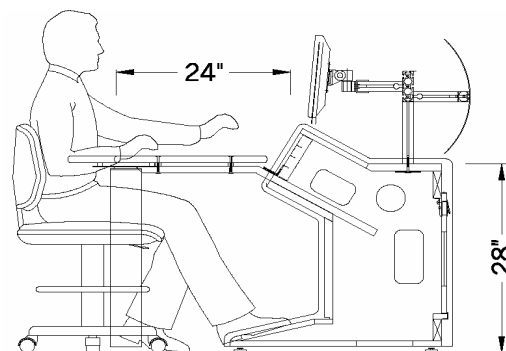
(shipping + handling additional)



PLAN



ELEVATION



SECTION

Optional Finishes

multi-ply wood edge with laminate top	\$ 345
multi-ply edge with real wood veneer top	630
sanded Plexi-glas (1" thick)	1,220
solid wood (maple, oak, cherry, mahogany)	1,250
Corian, Fountainhead, Avonite solid surface	2,080

Optional Accessories

ribbed aluminum tube legs (pair)	\$ 390
AS-3 aluminum perforated screen, 3 bay	540
MBS-3 monitor beam system (3 bay)	925
MBS-FA1 fixed LCD arm (with tilt/swivel)	160
angled, continuous rubber footrest (3 bay)	450
NOVA articulating LCD arm	265