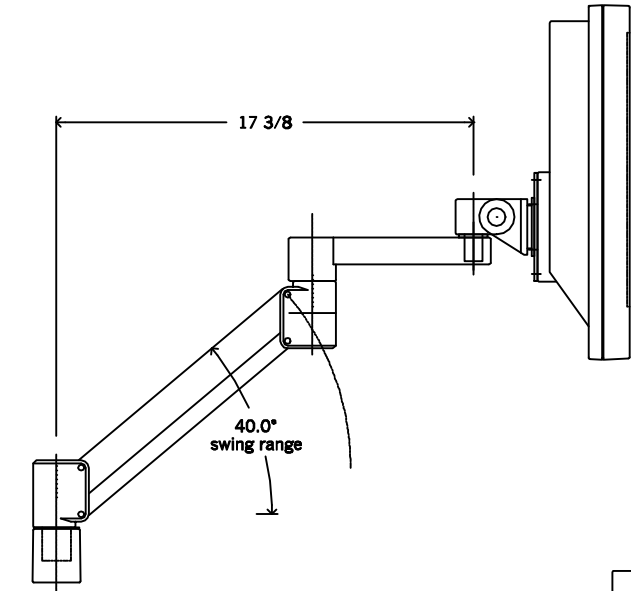
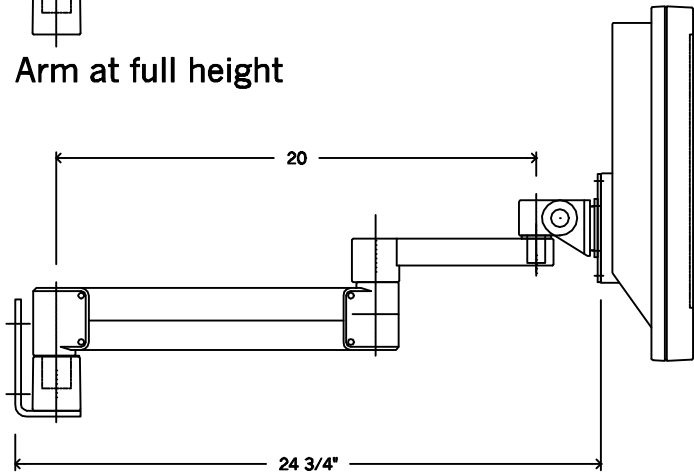


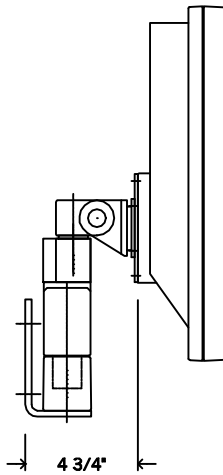
- Arm can be moved 16" vertically.
- Arm can fold up to fit in about 3" of space
- Arm can be extended to 20" from where it is mounted
- Arm rotates 360° at 3 joints.
- Tilt Mechanism can tilt over 200°.
- Cables are hidden in the Arms



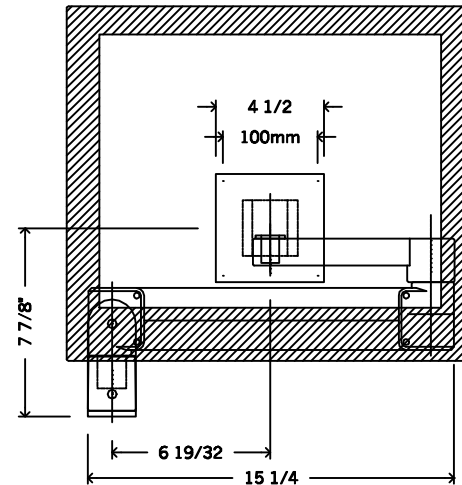
Arm at full height



Arm fully extended



Arm folded flat



Front View - Arm folded flat



- Wall mount, Thru-Desk & Edge Mount available
- Requires VESA mounting plate.  
(100mm or 75mm mounting pattern)
- Durable Black Powdercoat Finish



115 CABOT ST WEST BABYLON, NY 11704  
PHONE: 516-293-4068 FAX: 516-293-4075

Client:

STANDARDS

Project:

PRODUCT  
DATA SHEET

Drawing Title:

FLAT PANEL  
ARM

Design by:

N/A

Drawn by:

PJP

Date:

04/17/00

Scale:

DO NOT SCALE

Rack Rail Type:

N/A

Plm Spec:

N/A

Plm Spec:

N/A

Special Notes:

CLIENT SIGNATURE APPROVES ALL  
SPECIFICATIONS INDICATED IN  
THIS DRAWING.

client:

date:

PRODUCT DATA SHEET

STD MACHINED COMPONENT

Revisions:

Filename:

PDS\_MASTER-WS

Drawing No:

LCD-INN-01