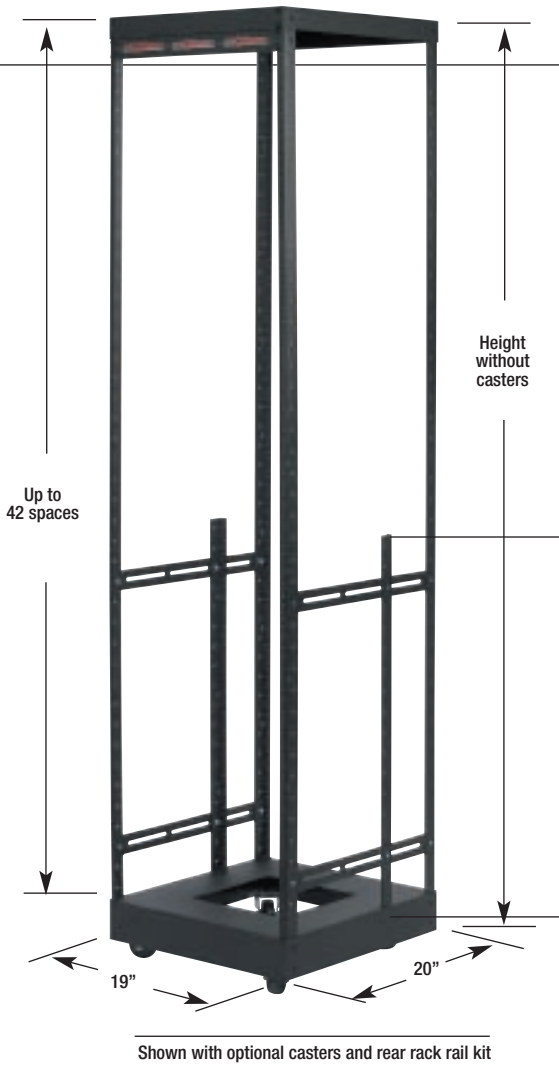


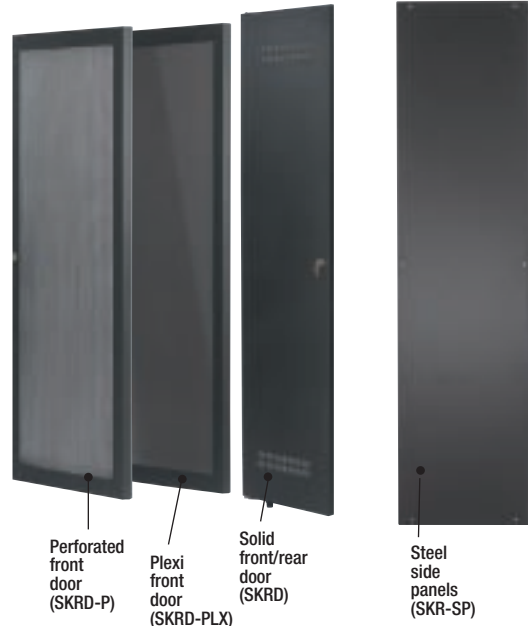
SKR skeleton rack

Raxxess "Skeleton Racks" are so named because of a "Bare Bones" approach to racking audio equipment. Constructed of four pieces of 11-gauge steel rack rail (cut to any length) and a top and bottom pan of 16-gauge cold rolled steel, the surprisingly strong Skeleton Rack assembles in less than five minutes. Optional side panels are available (12, 24 and 42 spaces) in either 16-gauge steel with a black powder coat finish. Available in 20, 26 or 30" depths.



optional

Optional rear rack rail kit includes 4 horizontal members.



features

- 20, 26 & 30" depth available.
- Easily gangable.
- Quick assembly.
- Economical shipping (UPS)
- Any height to 42 spaces (73-1/2")

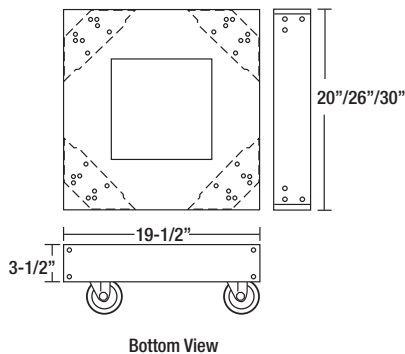


Use CASTER/CM Sold in sets of 4.

*Locking casters not recommended.



SKRS
Optional Shelf for SKR rack.



Model	Racking Height	Depth	Width	Height	Height w/casters	Weight Capacity
SKR-12-20/26/30*	12 space (21")	20"/26"/30"	19-1/2"	26-1/2"	28-1/4"	300lb.
SKR-24-20/26/30*	24 space (42")	20"/26"/30"	19-1/2"	47-1/2"	49-1/4"	300lb.
SKR-42-20/26/30*	42 space (73-1/2")	20"/26"/30"	19-1/2"	79"	80-1/4"	400lb.

* Other sizes available as special order. To calculate height for custom sizes, multiply total number of desired rack spaces x 1.75" and add 5.5".

finish
Black Powder Coat

