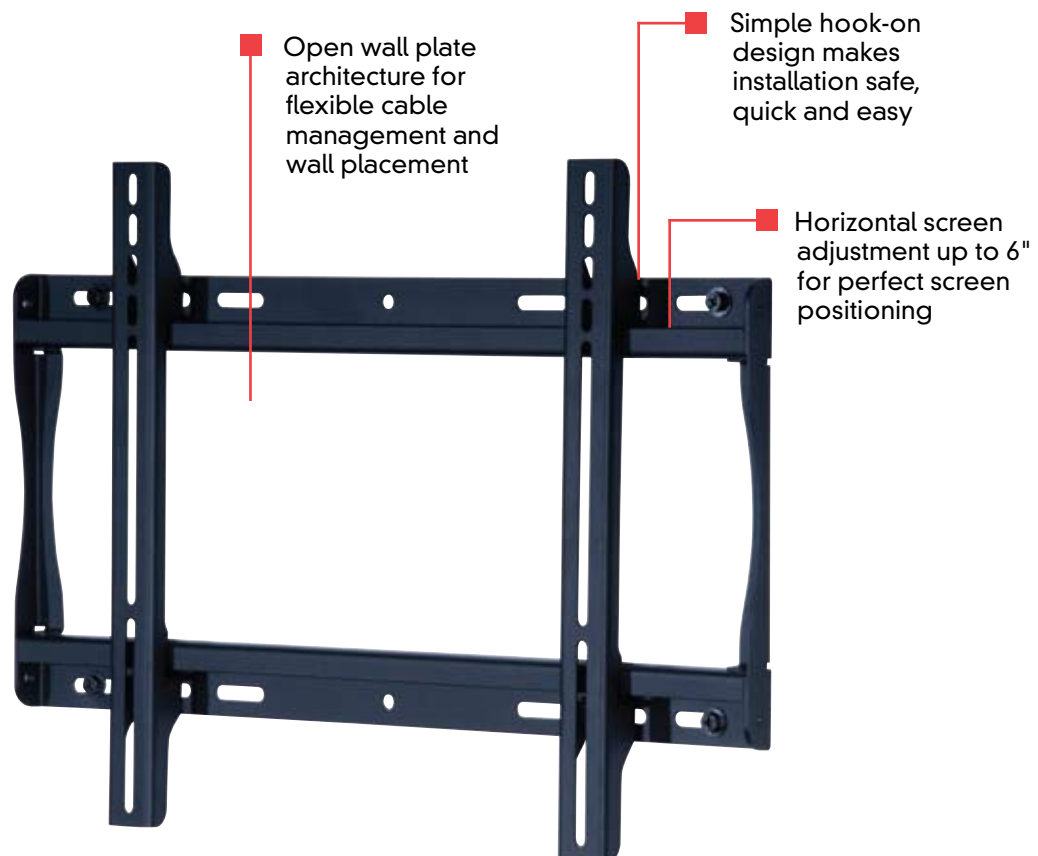


## Universal Flat Wall Mount

For 23" to 46" LCD Flat Panel Screens

### NEW!

Limitless placement opportunities are delivered with speed and ease. Its ultra-slim open wall plate architecture delivers screen placement flexibility and enables easy electrical access and cable management. This ultra-slim mount is the ultimate solution for low-profile applications.





# SmartMount<sup>®</sup>

## Universal Flat Wall Mount

For 23" to 46" LCD Flat Panel Screens

### Model Numbers

SF640, SF640-S (Security Models)  
SF640P, SF640P-S (Standard Models)

### Product Specifications

- Universal mount fits screens with mounting patterns up to 17.73" W x 12.94" H
- Open wall plate architecture allows for total wall access, increasing electrical access and cable management options
- Ultra-slim design holds screen only 1.2" from the wall for a low-profile application
- Horizontal screen adjustment of up to 6" (depending on screen model) for perfect screen placement
- Universal brackets easily hook onto wall plate for fast installation
- Mounts to wood studs, concrete, cinder block or metal studs (metal stud accessory required)
- Comes with Peerless' Sorted-for-You™ fastener pack with all necessary screen attachment hardware
- Integrated security options available
- UL listed

#### FEATURES

DIMENSIONS (W x H x D) 19.37" x 13.75" x 1.2" (49.19 x 34.9 x 3 cm)

LOAD CAPACITY 150 lb (68 kg)

PRODUCT WEIGHT 3.5 lb (1.6 kg)

FINISH Scratch-resistant fused epoxy

AVAILABLE COLORS Black: SF640, SF640P  
Silver: SF640-S, SF640P-S

ACCESSORIES Metal Stud Accessory Kit (ACC 415)

PATENT Patent pending

### Package Specifications

PACKAGE CONTENTS Wall plate, universal brackets, mounting and screen attachment hardware

UNITS IN PACKAGE 1

PACKAGE SIZE (W x H x D) 20.37" x 10.06" x 3.5" (51.75 x 25.55 x 8.89 cm)

PACKAGE SHIP WEIGHT 5.7 lb (2.58 kg)

PACKAGE UPC CODE  
SF640 735029235651  
SF640P 735029235675  
SF640-S 735029235668  
SF640P-S 735029235682

WARRANTY Limited 5-year



Ultra-slim design holds screen 1.2" from the wall



LIT-0204

Peerless Industries, Inc.  
3215 W. North Avenue,  
Melrose Park, IL 60160

(800) 865-2112  
(708) 865-8870  
Fax: (708) 865-2941  
www.peerlessmounts.com