

# TECHNICAL DATA SHEET - Enclosed Tilt Wall Mount

**MODEL: PT-420LG, PT-420LG-TV**

PT-420LG(TV) is designed to work with integrated screen models to hide wiring and external components from view. Simple hanging design allows for ease of install and security with a safety screw to lock the screen in.

**Features:**

- Enclosed wall plate hides d-box and all wiring from view with a clean, slim silhouette
- Open-backed design allows for multiple configurations of install with wall outlets and wiring
- Tilt adjustment of +5/ -1 degrees
- Includes hardware for wood studs, concrete, and cinder block.

**Accessories:**

- Metal Stud Fastener Kit (ACC415)

**Dimensions:**

**Weight:**

16.3 lb (7.4 kg)

**Shipping Weight:**

19 lb (8.6 kg)

**Maximum Load Capacity:**

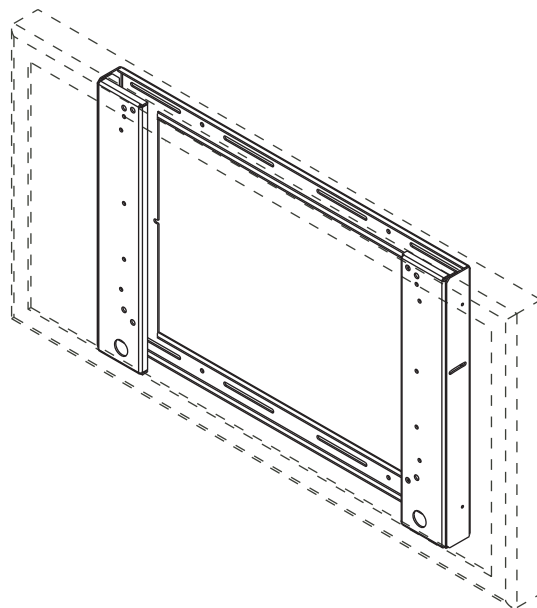
100 lb (45.4 kg)

**Shipping Carton Dimensions:**

**L** = 34.75 in (883 mm)

**W** = 21.5 in (546 mm)

**H** = 2.25 in (57 mm)



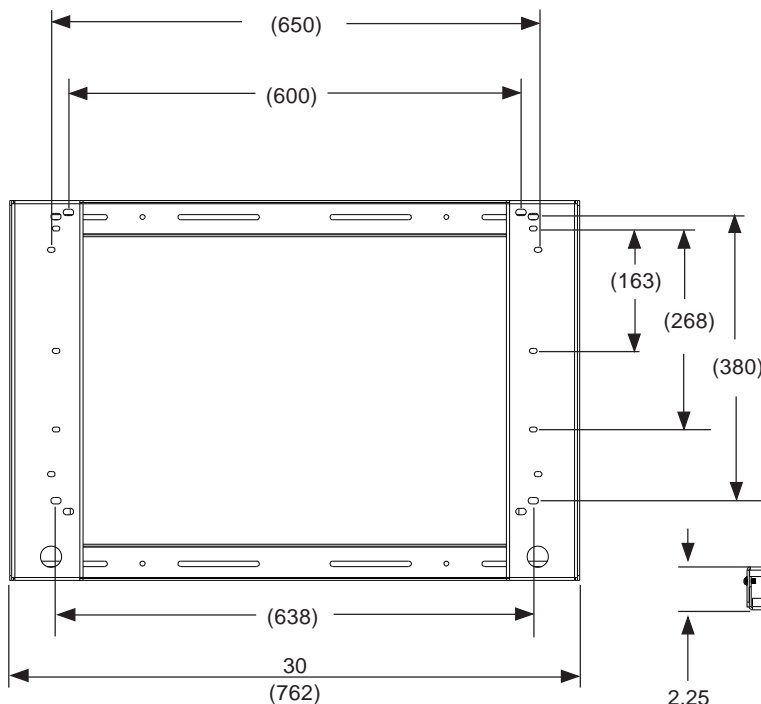
## ARCHITECTS SPECIFICATIONS

The Enclosed Tilt Wall Mount shall be a Peerless model **PT-420LG(TV)** and shall be located where indicated on the plans. It shall feature scratch resistant black fused epoxy finish. It shall feature adjustable 5° of forward tilt and 1° of backward tilt. Assembly and installation shall be done according to instructions provided by the manufacturer.

TECHNICAL DATA SHEET

**MODEL: PT-420LG, PT-420LG-TV**

ALL DIMENSIONS: inch  
(mm)



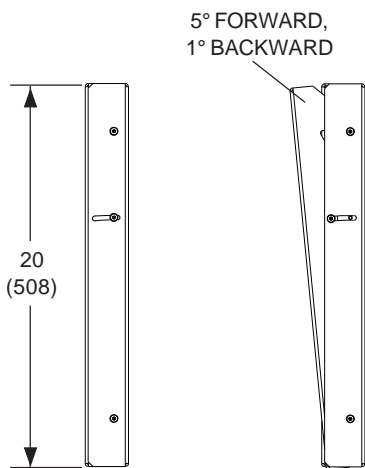
COMPATIBLE HOLE PATTERNS

- 600X400
- 638X163
- 638X268
- 638X380
- 650X300

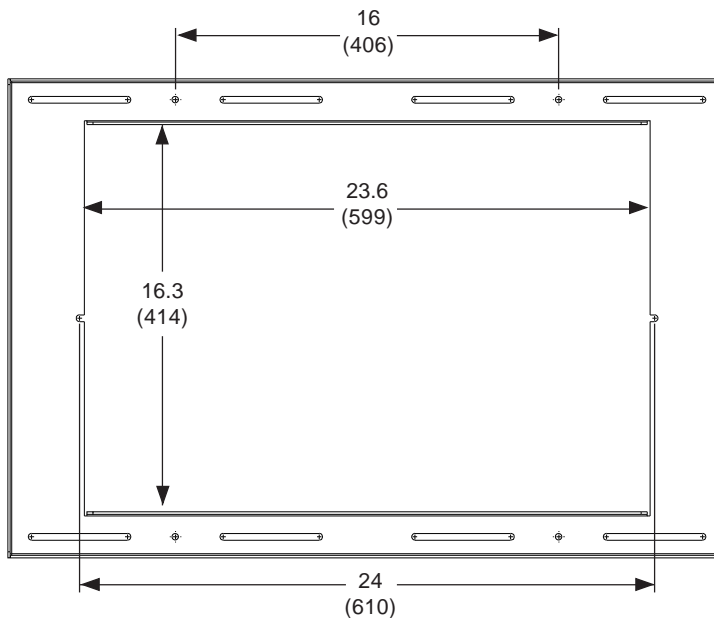


**FRONT VIEW**

**TOP VIEW**



**SIDE VIEW**



**WALL PLATE DETAIL**