

TECHNICAL DATA SHEET - Enclosed Tilt Wall Mount

peerless®

MODEL: PT-420A

PT-420A is designed to work with integrated screen models to hide wiring and external components from view. Simple hanging design allows for ease of install and security with a safety screw to lock the screen in.

Features:

- Enclosed wall plate hides d-box and all wiring from view with a clean, slim silhouette
- Open-backed design allows for multiple configurations of install with wall outlets and wiring
- Tilt adjustment of +5/ -1 degrees
- Includes hardware for wood studs, concrete, and cinder block.

Accessories:

- Metal Stud Fastener Kit (ACC415)

Dimensions:

Weight:

16.3 lb (7.4 kg)

Shipping Weight:

19 lb (8.6 kg)

Maximum Load Capacity:

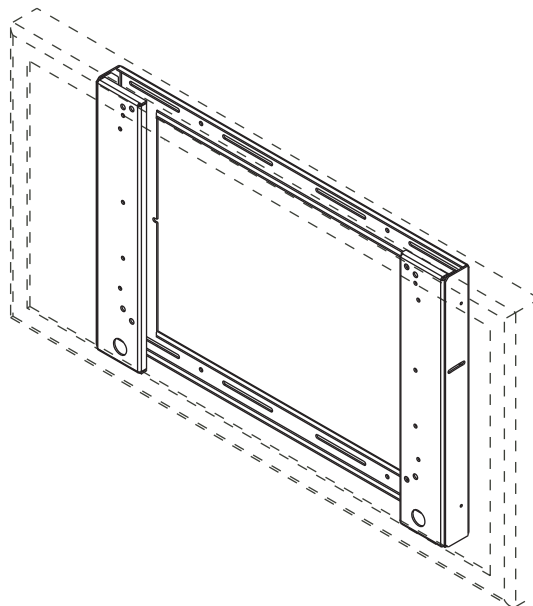
100 lb (45.4 kg)

Shipping Carton Dimensions:

L = 34.75 in (883 mm)

W = 21.5 in (546 mm)

H = 2.25 in (57 mm)



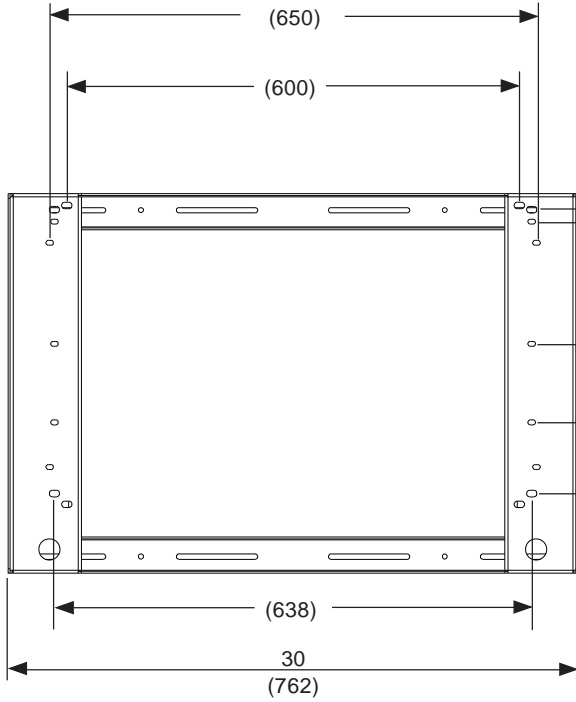
ARCHITECTS SPECIFICATIONS

The Enclosed Tilt Wall Mount shall be a Peerless model **PT-420A** and shall be located where indicated on the plans. It shall feature scratch resistant black fused epoxy finish. It shall feature adjustable 5° of forward tilt and 1° of backward tilt. Assembly and installation shall be done according to instructions provided by the manufacturer.

TECHNICAL DATA SHEET

MODEL: PT-420A

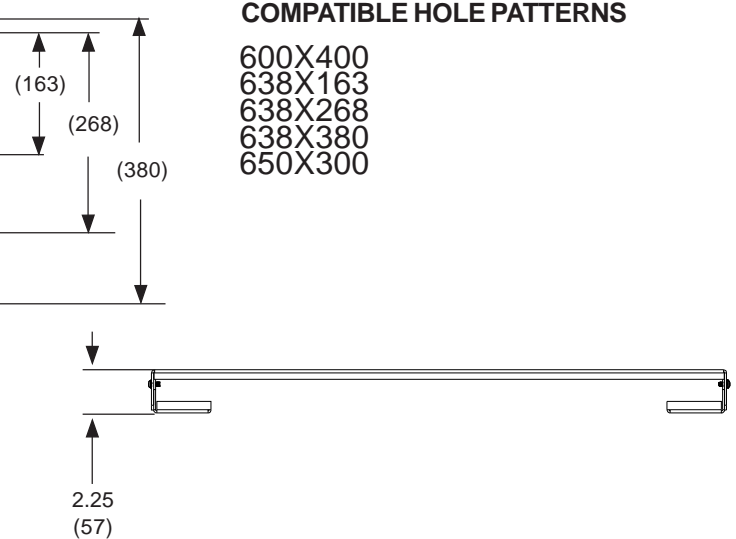
ALL DIMENSIONS: inch
(mm)



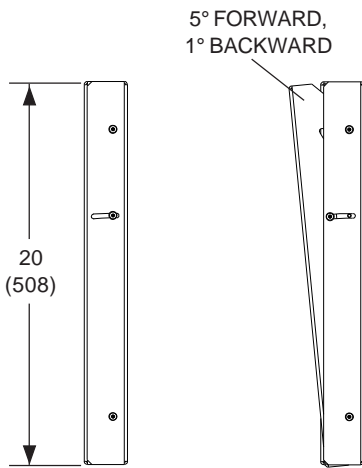
FRONT VIEW

COMPATIBLE HOLE PATTERNS

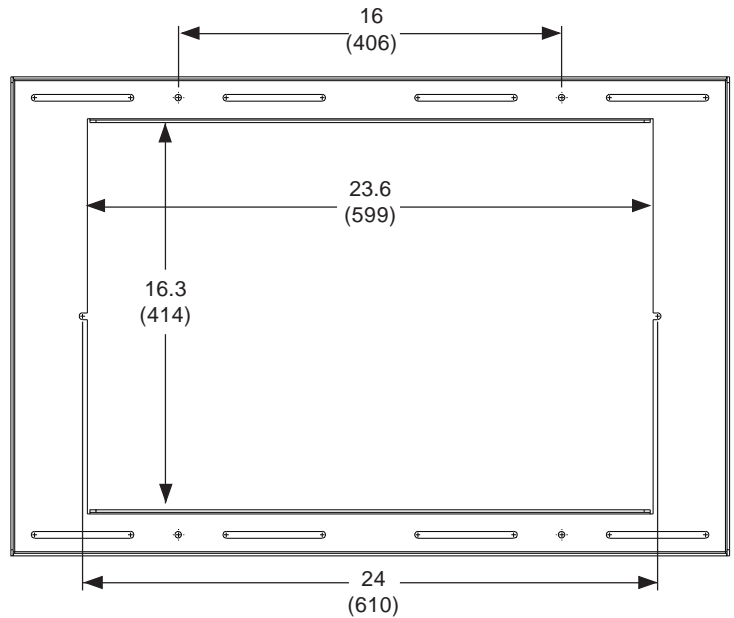
- 600X400
- 638X163
- 638X268
- 638X380
- 650X300



TOP VIEW



SIDE VIEW



WALL PLATE DETAIL