

Flat Panel

Stands and Carts

Pedestal Stand

For 10" to 30" LCD Screens



- VESA® 75 and 100 compliant

- Adjustable height from 60.75" to 80"

- Feet can move inward along the tubular structure if required

- 180° of swivel at the head (up to 90° on each side)

- Can be used freestanding (up to 25 lb) or bolted down (up to 40 lb)

- Comes with hardware to bolt to concrete flooring



MODELS

UNIVERSAL MODELS:
Standard Fasteners*

LCFS-100
LCFS-100S

Black
Silver

SCREEN ADAPTER

UNIVERSAL MODELS:

Includes universal screen adapter to accommodate VESA® 75 and 100 mounting holes

SPECIFICATIONS

DIMENSIONS: (W x H x D)
23" x 60.75"-80" x 24"
(58.4 x 154.3-203.2 x 61 cm)

SWIVEL: ±90°

MAX LOAD:

Freestanding: 25 lb (11.3 kg)
Bolted down: 40 lb (18.1 kg)

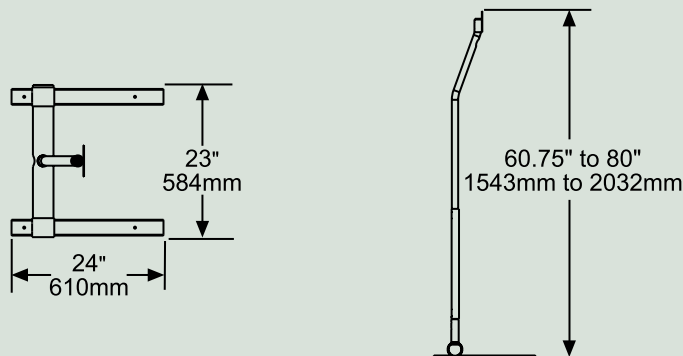
SHIP WEIGHT: 26 lb (11.8 kg)

MOUNTING

SURFACES: All floor surfaces



* Includes standard hardware (hex or Phillips) for attaching screen to mount



To verify mount compatibility with any LCD, plasma, or projector model use MountFinder™ at www.peerlessmounts.com 800.865.2112