

TECHNICAL DATA SHEET - Flat Tilt Wall Mount for VESA® 200 x 200 and 200 x 100

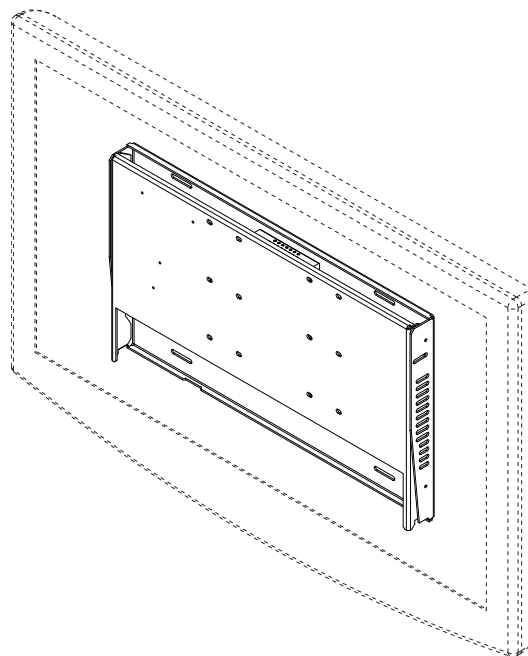
peerless®

MODEL: HT640-001

The HT640-001 wall mount is designed to work with the Samsung LN-T3253HTX and LN-T4053HTX. The mount will hold the Pro Idium, Lodgenet and On Command boxes and hide them from view. Simple hanging design allows for ease of install and security with a safety screw that locks the screen in.

Features:

- This mount is designed for the Samsung LN-T3253HTX and LN-T4053HTX
- Internal mounting holes provided for the Pro Idium, Lodgenet and On Command boxes
- Enclosed wall plate hides all wiring, boxes and television jack-pack from view with a clean, slim silhouette
- Tilt adjustable + 5.5° degrees
- Wood and metal stud mounting hardware included



Dimensions:

Weight:

20.92 lb (9.5 kg)

Shipping weight:

22.2 lb (10.01 kg)

Maximum Load Capacity:

80 lb (36.3 kg)

Shipping Carton dimensions:

L = 34.25 in (870 mm)

W = 20.5 in (521 mm)

H = 2.5 in (64 mm)

ARCHITECTS SPECIFICATIONS

The Flat Tilt Wall Mount for VESA 200 x 200 and 200 x 100 shall be Peerless models _____ and shall be located where indicated on the plans. It shall feature adjustable 5.5° of forward tilt. It shall be constructed of heavy gauge cold rolled steel and finished with scratch resistant Black Fused Epoxy. Assembly and installation shall be done according to instructions provided by the manufacturer.

Peerless Industries, Inc.

3215 W. North Ave. Melrose Park, IL 60160
708-865-8870 800-865-2112 Fax 708-865-2941

www.peerlessmounts.com

ISSUED: 02-12-08 SHEET NO: 202-9578-2 06-09-08

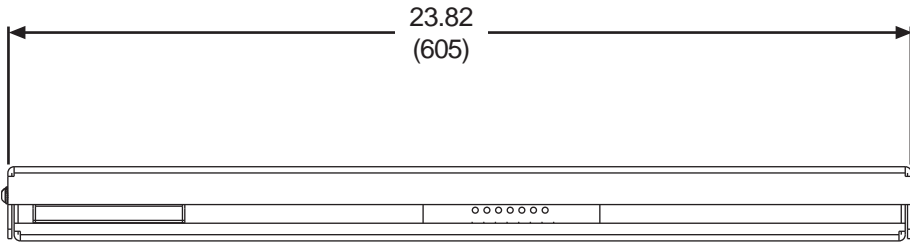
© 2008, Peerless Industries, Inc. All rights reserved.

All other brand and product names are trademarks or registered trademarks of their respective owners

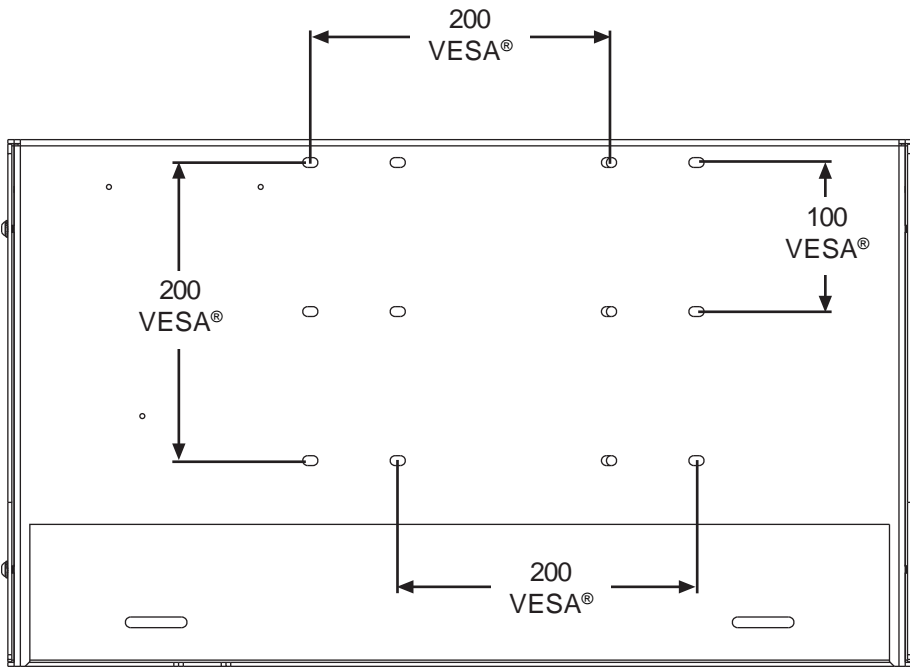
TECHNICAL DATA SHEET

MODEL: HT640-001

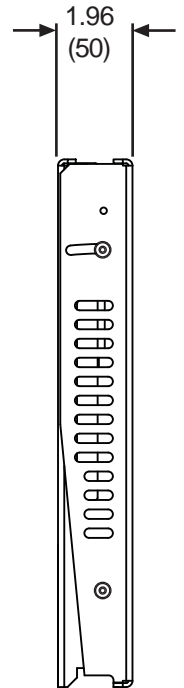
All dimensions = inch
(mm)



TOP VIEW



FRONT VIEW

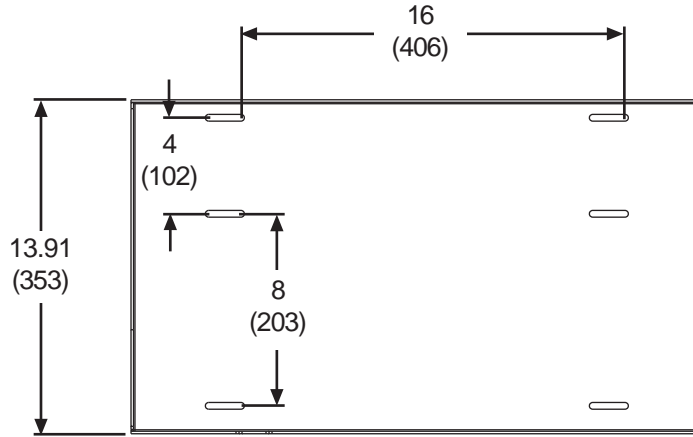


SIDE VIEW

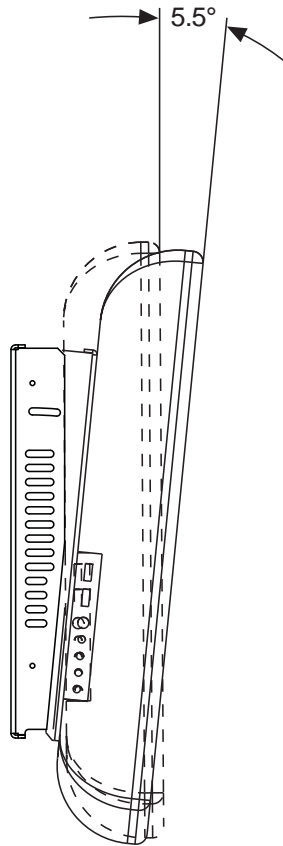
TECHNICAL DATA SHEET

MODEL: HT640-001

All dimensions = inch
(mm)



WALL PLATE DETAIL



TILT
SIDE VIEW