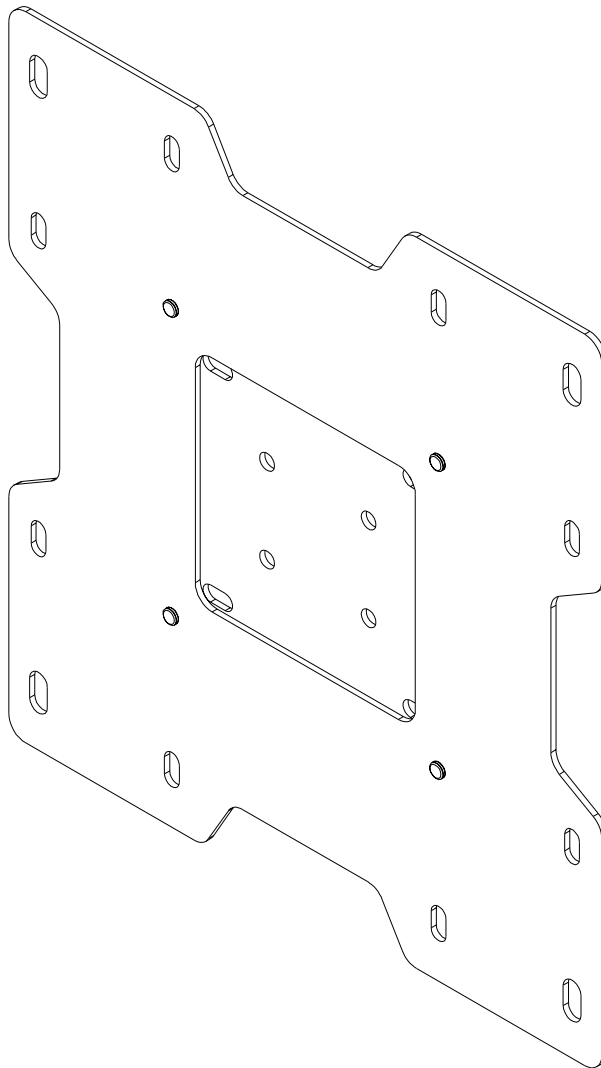


## Installation and Assembly:

### Flat Wall Mount for Panasonic TH-32R11 Display

---

**Models:** HF632-PA



#### Features:

- For Panasonic TH-32R11 displays
- Ultra-slim design holds the screen flat against the wall

Max Load Capacity: 115 lb (52.2 kg)

**Note:** Read entire instruction sheet before you start installation and assembly.

## **⚠ WARNING**

- Do not begin to install your Peerless product until you have read and understood the instructions and warnings contained in this Installation Sheet. If you have any questions regarding any of the instructions or warnings, please call Peerless customer care at 1-800-729-0307.
- This product should only be installed by a qualified professional.
- Make sure that the wall will safely support the combined load of the equipment and all attached hardware and components.
- Never exceed the Maximum Load Capacity of 115 lb (52.2 kg).
- If mounting to wood wall studs, make sure that mounting screws are anchored into the center of the studs. Use of an "edge to edge" stud finder is highly recommended.
- Always use an assistant or mechanical lifting equipment to safely lift and position equipment.
- Tighten screws firmly, but do not overtighten. Overtightening can damage the items, greatly reducing their holding power.

### **Tools Needed for Assembly**

- stud finder ("edge to edge" stud finder is recommended)
- phillips screwdriver
- drill
- 1/4" bit for concrete and cinder block wall
- 5/32" bit for wood stud wall
- level

### **Accessories**

- Metal Stud Fastener Kit (ACC 215)
- Video Conferencing Shelf (ACC 309)
- Accessory Shelves (PM 600, PM 610)

### **Table of Contents**

---

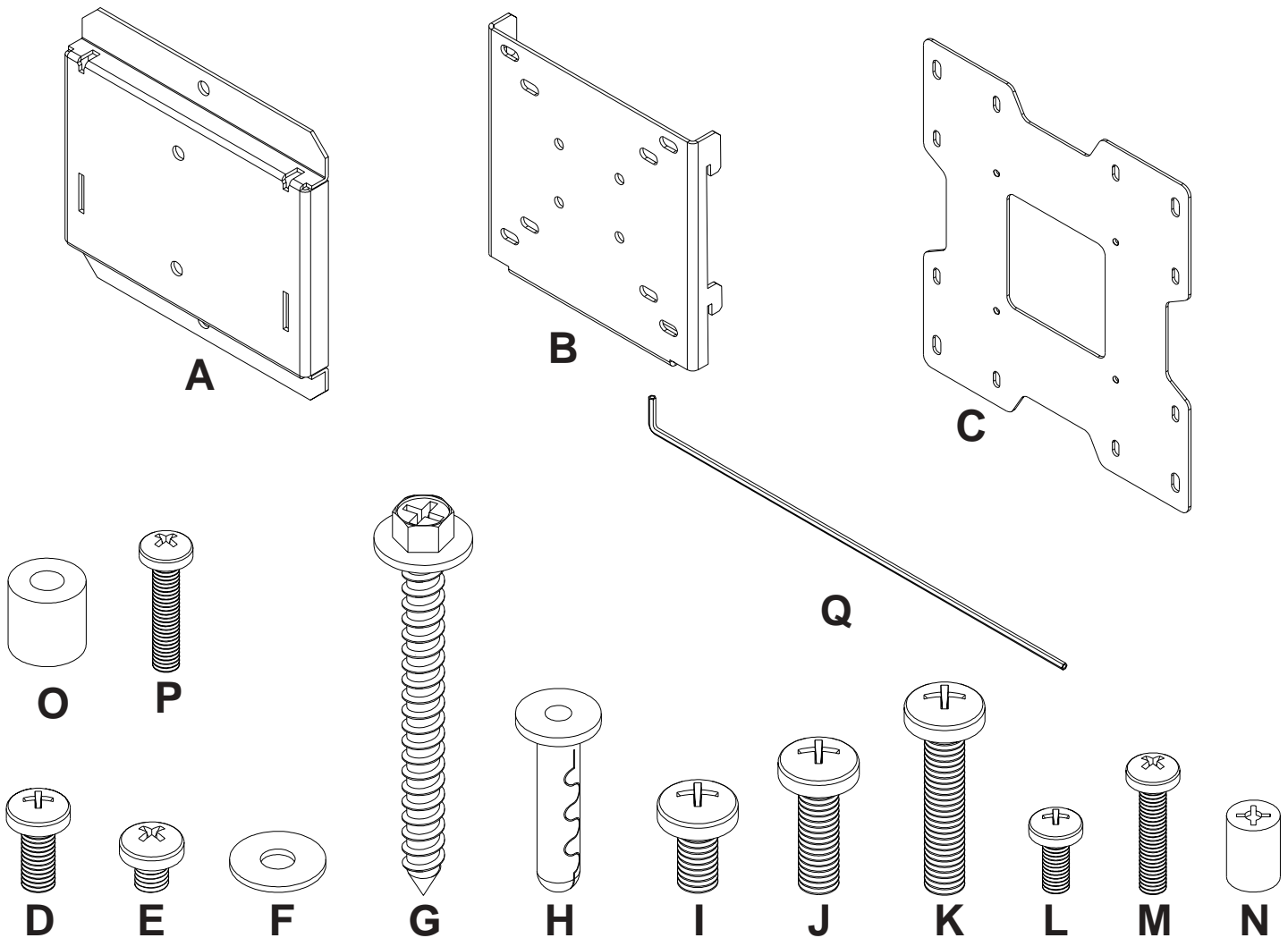
Parts List .....	3
Installation to Single Wood Stud Wall .....	4
Installation to Solid Concrete or Cinder Block .....	5
Attaching Adapter Plate to Screen with VESA 200 x 100 Mounting Pattern .....	6
Installing and Removing Flat Panel Screen .....	7

*For customer care call (800) 729-0307 or (708) 865-8870.*

# Parts List

Description	Qty	HF632-PA Part #
<b>A</b> wall plate	1	095-1320
<b>B</b> hook bracket	1	095-1321
<b>C</b> adapter plate	1	095-1322
<b>D</b> M5 x 12 mm screw	2	520-1064
<b>E</b> M5 x 6 mm phillips screw	4	520-1023
<b>F</b> #10 SAE washer	4	540-9400
<b>G</b> #14 x 2.5" hex head wood screw	2	5S1-015-C03
<b>H</b> Alligator® anchor	2	590-0097
<b>I</b> M6 x 12 mm phillips screw	4	520-1128
<b>J</b> M6 x 20 mm phillips screw	4	520-9402
<b>K</b> M6 x 30 mm phillips screw	4	510-9109
<b>L</b> M4 x 10 mm phillips screw	4	504-9012
<b>M</b> M4 x 20 mm phillips screw	4	504-9020
<b>N</b> .128" ID x .313" OD x .437" H retaining spacer	4	590-5005
<b>O</b> *.219" ID x .5" OD x .5" H retaining spacer	4	540-1057
<b>P</b> *M4 x 25 mm phillips screw	4	504-1015
<b>Q</b> 4 mm security allen wrench	1	560-1145

**NOTE:** \*Fasteners used for attachment to Panasonic TH-32R11 display



## Installation to Single Wood Stud Wall

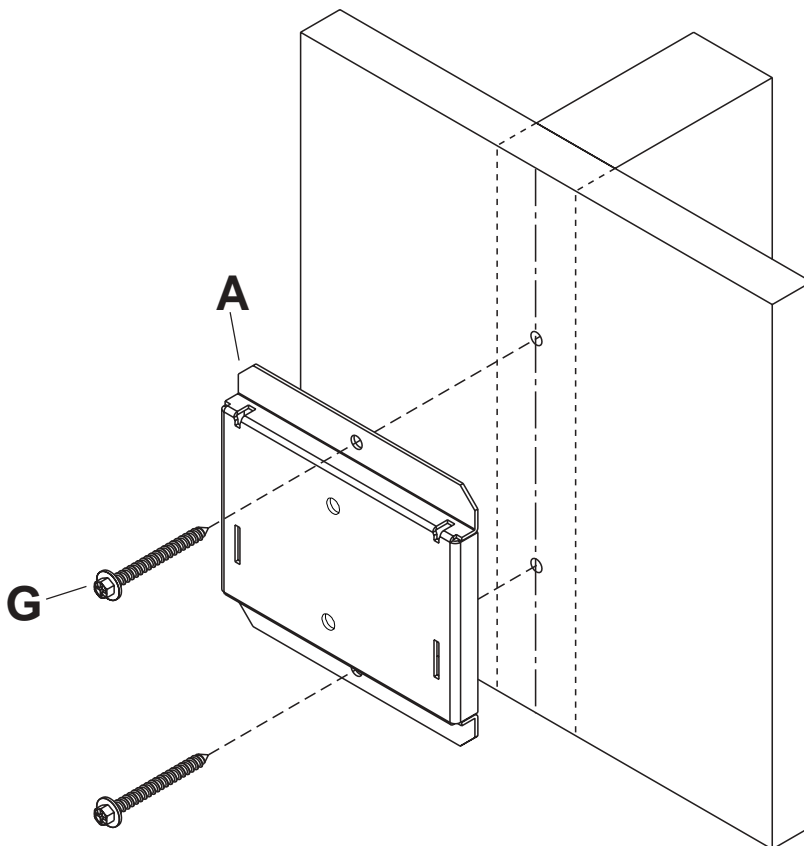
### ⚠ WARNING

- Make sure that the wall will safely support the combined load of the equipment and all attached hardware and components.

- 1 Use a stud finder to locate the edges of the stud. Use of an edge-to-edge stud finder is highly recommended. Based on its edges, draw a vertical line down the stud's center. Place wall plate (**A**) on wall as a template, making sure that the two mounting holes are over the stud centerline. Level plate, and mark the center of the two holes. Drill two 5/32" (4 mm) dia. holes 2-1/2" (65 mm) deep. Make sure that the wall plate is level, secure it using two #14 x 2.5" wood screws (**G**) as shown.

### ⚠ WARNING

- Tighten wood screws so that wall plate is firmly attached, but do not overtighten. Overtightening can damage the screws, greatly reducing their holding power.
- Never tighten in excess of 80 in. • lb (9 N.M.).
- Make sure that mounting screws are anchored into the center of the stud. The use of an "edge to edge" stud finder is highly recommended.
- Hardware provided is for attachment of mount through standard thickness drywall or plaster into wood studs. Installers are responsible to provide hardware for other types of mounting situations.

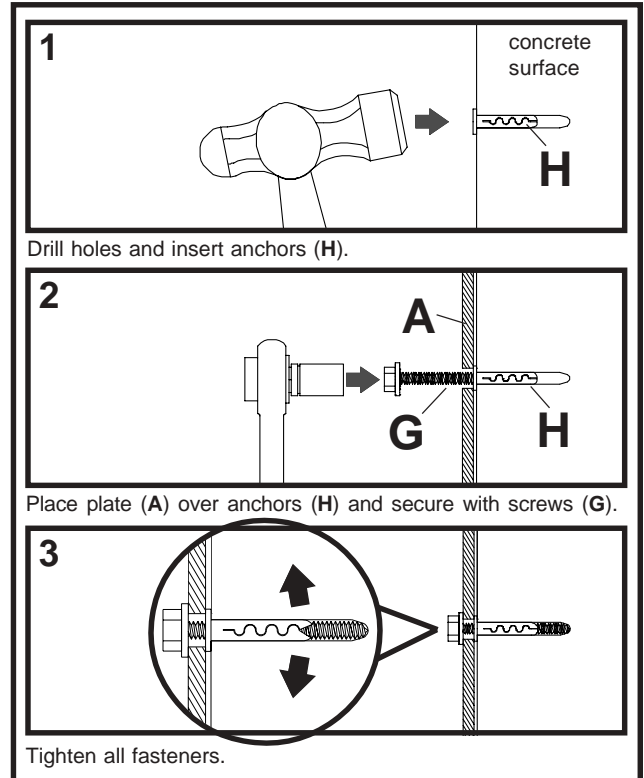


# Installation to Solid Concrete or Cinder Block

## ⚠ WARNING

- When installing Peerless wall mounts on cinder block, verify that you have a minimum of 1-3/8" of actual concrete thickness in the hole to be used for the concrete anchors. Do not drill into mortar joints! Be sure to mount in a solid part of the block, generally 1" minimum from the side of the block. Cinder block must meet ASTM C-90 specifications. It is suggested that a standard electric drill on slow setting is used to drill the hole instead of a hammer drill to avoid breaking out the back of the hole when entering a void or cavity.
- Concrete must be 2000 psi density minimum. Lighter density concrete may not hold concrete anchor.
- Make sure that the wall will safely support four times the combined load of the equipment and all attached hardware and components.

- 1** Make sure that wall plate (A) is level, use it as a template to mark two mounting holes. Drill two 1/4" (6 mm) dia. holes to a minimum depth of 2.5" (64 mm). Insert anchors (H) in holes flush with wall as shown (right). Place wall plate over anchors and secure with two #14 x 2.5" screws (G). Level, then tighten all fasteners.

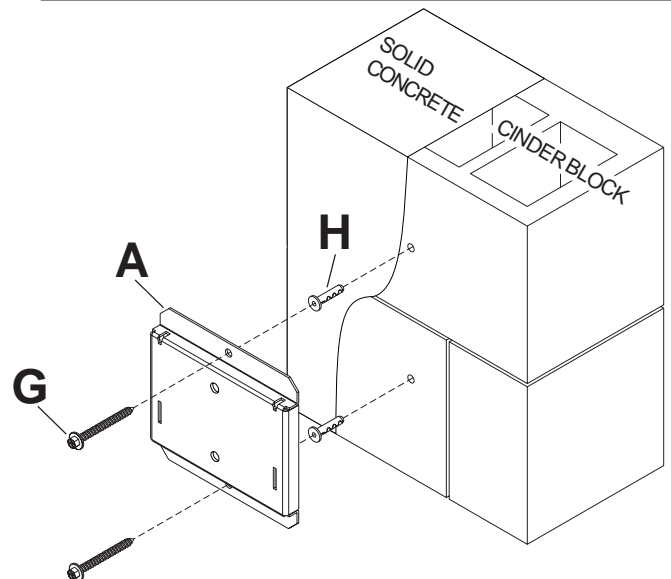
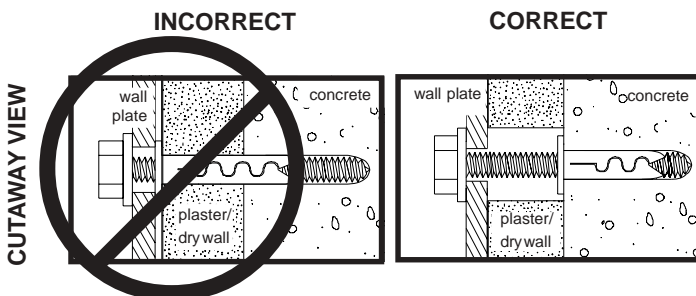


## ⚠ WARNING

- Tighten screws so that wall plate is firmly attached, but do not overtighten. Overtightening can damage screws, greatly reducing their holding power.
- Never tighten in excess of 80 in. • lb (9 N.M.).

## ⚠ WARNING

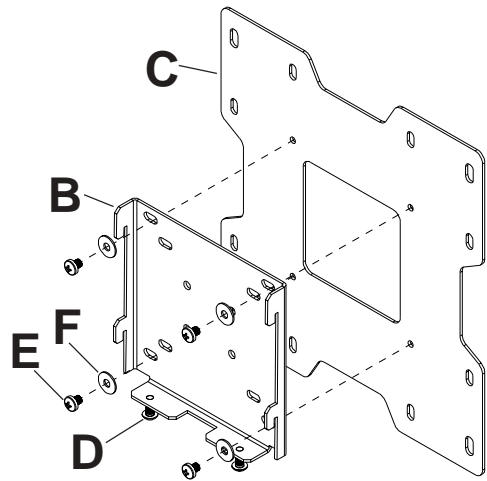
- Always attach concrete expansion anchors directly to load-bearing concrete.
- Never attach concrete expansion anchors to concrete covered with plaster, drywall, or other finishing material. If mounting to concrete surfaces covered with a finishing surface is unavoidable, the finishing surface must be counterbored as shown below. Be sure concrete anchors do not pull away from concrete when tightening screws. If plaster/drywall is thicker than 5/8", custom fasteners must be supplied by installer.



## Attaching Adapter Plate to Screen with VESA 200 x 100 Mounting Pattern

- 2 Thread M5 socket pin screws (D) to hook bracket (B) making the screws flush with bracket as shown.

Attach hook bracket (B) to adapter plate (C) using four M5 x 6 mm screws (E) and #10 washers (F) as shown.

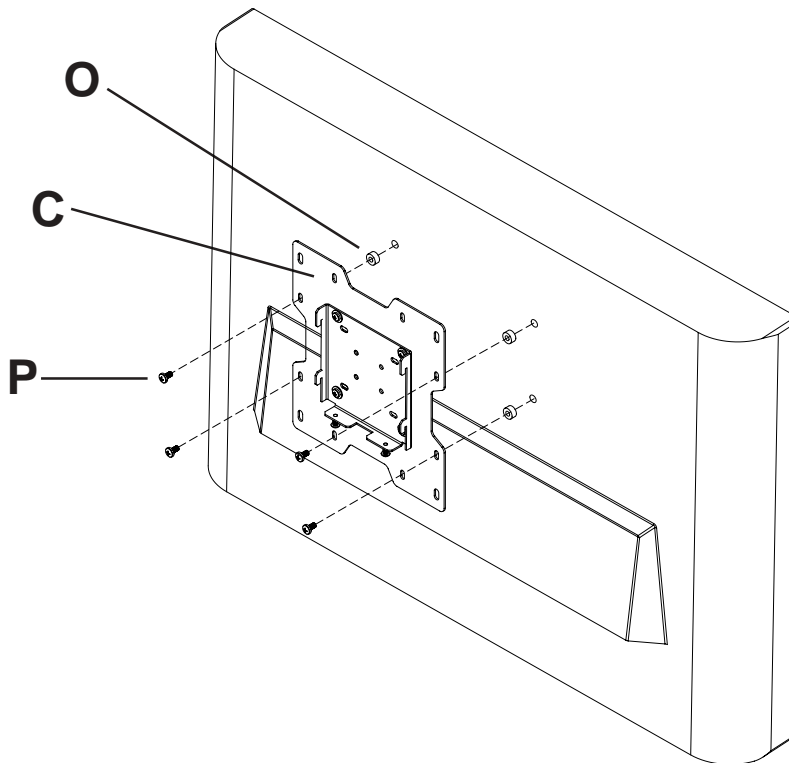


### ⚠ WARNING

- If screws don't get three complete turns in the screen inserts or if screws bottom out and adapter plate is still not tightly secured, damage may occur to screen or product may fail.

3 **VESA 200 x 100 MOUNTING PATTERN:**

Choose hole pattern as shown below. Attach adapter plate (C) to back of screen using four M4 x 25 mm screws (P) and four spacers (O) as shown below.



## Installing and Removing Flat Panel Screen

- 4 Hook screen onto wall plate (A) figure 4.1. Tighten M4 x 25 mm screws (P), shown in figure 4.2 and detail 1.

**Note:** For security models, use 4 mm security allen wrench (Q) to tighten M4 x 25 mm screws (P).

To remove screen from mount, loosen screws (P) and lift screen off of mount.

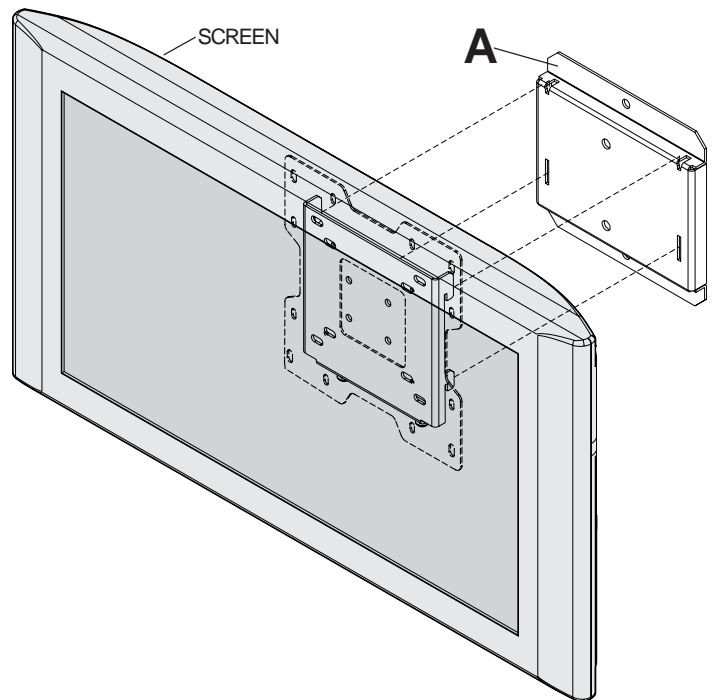


fig. 4.1

### ⚠ WARNING

- Do not lift more weight than you can handle. Use additional man power or mechanical lifting equipment to safely handle placement of the screen.
- Failure to lock hook bracket with screws (D) can cause screen to come off mount if hit accidentally.

### CAUTION

- Do not tighten screws with excessive force. Overtightening can cause damage to mount. Tighten screws to 20 in. • lb (2.26 N.M.) maximum torque.

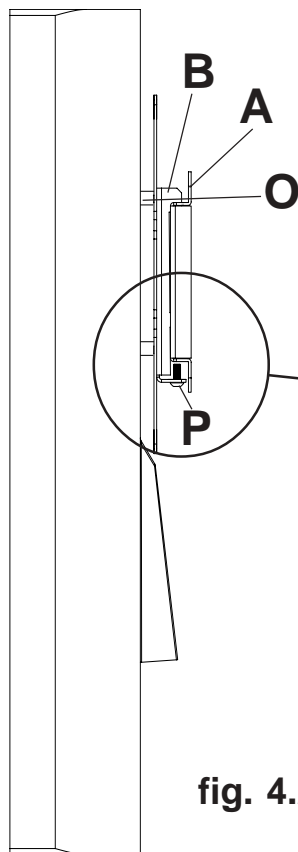
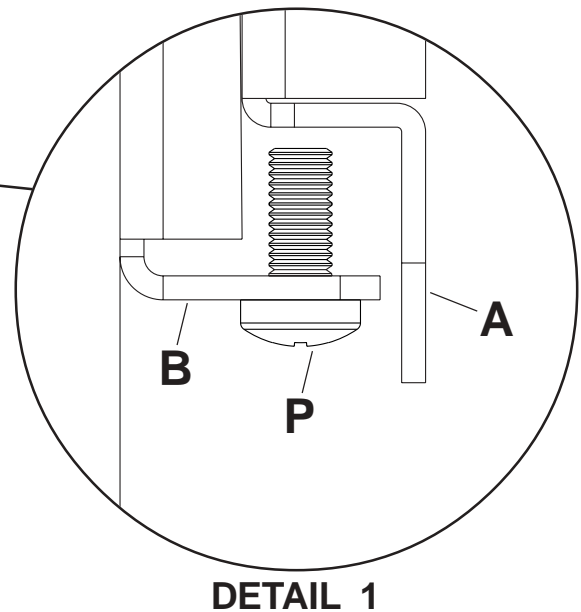


fig. 4.2



DETAIL 1