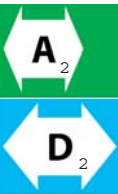


FIBER-COMMS

4-Wire Optical Extender for Intercom and IFB



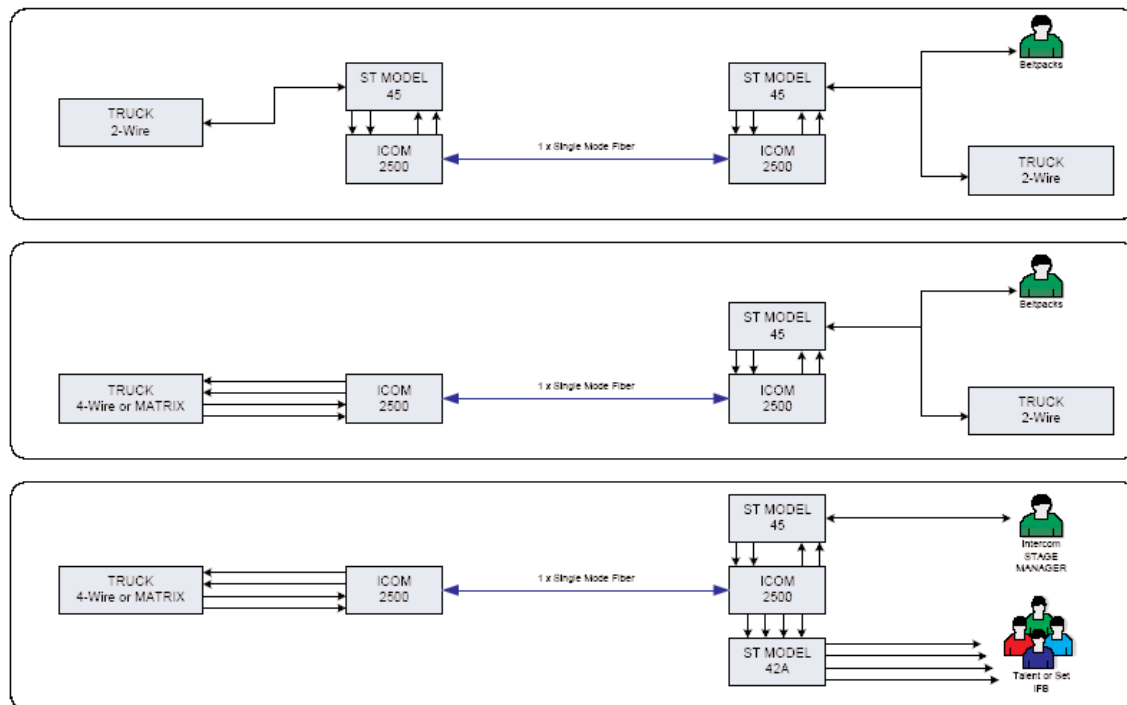
COMPATIBLE WITH: -RMT,-BLANK,-WALL

SUMMARY

The MultiDyne Fiber-Comms is a fiber optic extender for 4-wire intercom. When used in conjunction with a 2-Wire to 4-Wire converter, such as the ST Model 45, 2-Wire intercom can be extended. The Fiber-Comms can transport from 1 to 8 intercom or IFBs. The Fiber-Comms includes an XLR cable can be ordered to mate with Studio Technologies, RTS or Clearcomm systems. The Fiber-Comms will transport control data as well.

- Transports from 1-8 intercom or IFB channels.
- 4-Wire XLR input and output.
- Includes XLR pigtail in Clearcomm, RTS or Studio Technologies configuration.
- 24 Bit Audio flat from 20 to 20K Hz, S/N greater than 90 dB and THD less than 0.05%.
- Optical budget of up to 24 dB for Single-mode.
- Available in portable and rack-mount configurations.

APPLICATIONS



CONTACT

1-(800)-4TV-TEST (US and Canada)
 1-(800) 488-8378
 1-(516)-671-7278
 FAX 1-(516)-671-3362

SPECIFICATIONS

Exceeds the RS-250C Short-haul specification.

Signal to noise	> 62 dB
Video channel isolation with Red Field	> 90 dB
Differential gain	< +/- 0.1 %
Differential phase	< +/- 0.1 °
Chrominance to luminance gain	< +/- 1 %
Chrominance to luminance delay	< +/- 20 nsec.
Frequency response to 6 MHz	< +/- 0.5 dB
3 dB Bandwidth	8 MHz
Luminance non-linearity	< 1%
Ringing	< +/- 1 %
Tilt	< +/- 0.2 %
Video output & input impedance	75 Ohms
Delay, throughput	1.24 micro sec.
Signal to noise	> 90 dB
Frequency response to 20 Hz to 20 KHz	< +/- 0.1 dB
Distortion	< 0.05 %
Audio output level, adjustable	Unity, +/- 6 dBm
Maximum input & output level, 600 Ohm termination	+18 dBm
Audio output impedance, balanced	50 Ohms
Audio input impedance, balanced (selectable)	600 Ohms or High
Data channels (at 9600 Baud)	2 RS-232C, RS422, RS485, TTL
Power dissipation	< 15 Watts, per unit
AC operation	110 or 220 VAC
Operating temperature	0 to +50 °C
Portable and Wall-mount:	7" L x 5 ¾" W x 1 ¾" H
Triple Rack-mount Kit for 3 modules (Part number -RMT):	7" L x 19" W x 1 ¾" H

ORDERING INFORMATION

	Bi-directional Video, Audio and Data Fiber Optic Multiplexer, Stand-alone, Multimode (SIN 58-6)
DVM-1500-FMX-38	1 video, 2 audio and 2 data channel with tally, Bi-directional, Fiber Optic, Transceiver with WDM for 1310nm Multimode Laser 0 dBm, 850nm Singlemode PIN, Sensitivity -24 dBm with FC, SC or ST connector. (Requires both -35 and -53 versions for 1 link) (May require -DVMAUDIO25, -RMT, -BLANK, -WALL)
DVM-1500-FMX-83	1 video, 2 audio and 2 data channel with tally, Bi-directional, Fiber Optic, Transceiver with WDM 850nm Multimode Laser 0 dBm and 1310 Singlemode PIN, Sensitivity -24 dBm with FC, SC or ST connector. (Requires both -35 and -53 versions for 1 link) (May require -DVMAUDIO25, -RMT, -BLANK, -WALL)
	Bi-directional Video, Audio and Data Fiber Optic Multiplexer, Stand-alone, Singlemode (SIN 58-6)
DVM-1500-FMX-35	1 video, 2 audio and 2 data channel with tally, Bi-directional, Fiber Optic, Transceiver with WDM for 1310nm Single-mode Laser 0 dBm, 1550nm Singlemode PIN, Sensitivity -24 dBm with FC, SC or ST connector. (Requires both -35 and -53 versions for 1 link) (May require -DVMAUDIO25, -RMT, -BLANK, -WALL)
DVM-1500-FMX-53	1 video, 2 audio and 2 data channel with tally, Bi-directional, Fiber Optic, Transceiver with WDM 1550nm Single-mode Laser 0 dBm and 1310 Singlemode PIN, Sensitivity -24 dBm with FC, SC or ST connector. (Requires both -35 and -53 versions for 1 link) (May require -DVMAUDIO25, -RMT, -BLANK, -WALL)
	Accessories (SIN 58-6)
-RMT	Triple Rack-mount Kit (1 kit)
-BLANK	Blank panel for rack-mounting kit
-WALL	Wall-mount Kit (1 set)
-DVMAUDIO25	Audio screw terminal break-out adapter for DVM1500
-NOAUDIO	No Audio Option, price adjustment for units without the 2 audio channels



CONTACT

1-(800)-4TV-TEST (US and Canada)
 1-(800) 488-8378
 1-(516)-671-7278
 FAX 1-(516)-671-3362



191 Forest Avenue
 Locust Valley, NY 11560-2132
 E-Mail:sales@multidyne.com
 Web Site: www.multidyne.com