

CTV-2000-FTX SERIES

45~862MHz CATV forward path transmitter



COMPATIBLE WITH: CTV-2000-FRX

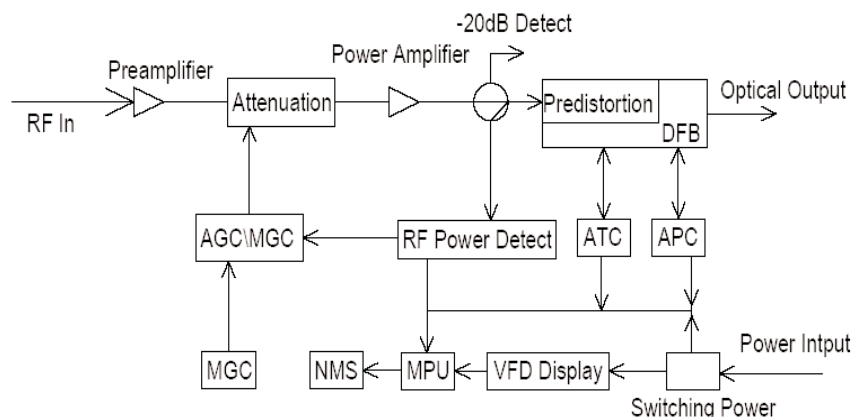
SUMMARY

CTV-2000 series 1310nm transmitter is primarily used for CATV, 110 channel video signal, digital TV signal, telephone voice signal and data signal, long-distance fiber transmission. The transmitter utilizes a high linearity DFB laser, RF power digital automatic process technique, along with RF pre-distortion circuit. The built-in microprocessor monitors the transmitters working status and automatically insures optimum performance. All materials used in CTV-2000 optical transmitter meet RoHS requirement.

- Low noise high linearity Ortel-Emcore cooled DFB laser
- GaAs Technology up to 1000MHz (typical 862MHz)
- RF power digital automatic process technology control the laser driving RF power level automatically, according to RF signal level and channels, ensuring the best C/N, CTB and CSO
- Excellent pre-distortion technology improves CTB, CSO and C/N
- Built-in microprocessor accurately monitor laser output power

- and temperature.
- Front panel VFD displays the status parameters and function message
- 19" 1U standard rack with RS485 and RS232 ports for remote monitor and control
- SNMP network management optional
- RoHS compatible

BLOCK DIAGRAM



CONTACT

1-(800)-4TV-TEST (US and Canada)
 1-(800) 488-8378
 1-(516)-671-7278
 FAX 1-(516)-671-3362

SPECIFICATIONS

Item	Unit	Parameter
Optical Power	mW	4 6 8 10 12 14 16 18 20
Optical Link Path Loss	dB	7 9 10 11 11.8 12.5 13 13.6 14
Optical Wavelength	nm	1310 +/- 20
Type of Laser		Cooled DFB laser with isolator
Optical modulation mode		Direct Modulation
Optical connector Type		SC/APC or FC/APC
Frequency Range	MHz	47~862 (1000MHz Optional)
RF Input Level	dBmV	15~25
Flatness In Band	dB	+/- 0.75
RF Input Impedance	Ohms	75
Input Reflection Loss	dB	= or > 16 (47~862/1000)MHz
C/CTB	dB	= or > 67
C/CSO	dB	= or > 62
C/N	dB	= or > 51
AGC Control Range	dB	+/- 5
MGC Control Range	dB	+/- 5
Power Voltage	V	AC 90V~265V (50/60 Hz)
Power Consumption	W	15
Operation Temperature	C	0~50
Store Temperature	C	-40~85
Relative Humidity	%	Max 95% no condensation
Dimension	mm	483 (L) x 381 (W) z 44 (H)
Weight	Kg	5

Test Condition: Input 59 channels PAL-D signal to the optical transmitter and measure the standard optical receiver C/CTB, C/CSO and C/N in conditions of -1dBm optical input (10km fiber + optical attenuator) and 36 dBmV RF output.

ORDERING INFORMATION

CTV-2000-FTX-AB-CD-EF-G Forward Path Transmitter

AB: Optical output power in mW, 04/06/08/10/12/14/16/18/20

CD: Optical connector, FC for FC/APC, SC for SC/APC

EF: None for 862MHz, 1000 for 1GHz bandwidth

G: None for RS-232 interface, N for SNMP interface

CONTACT

1-(800)-4TV-TEST (US and Canada)
 1-(800) 488-8378
 1-(516)-671-7278
 FAX 1-(516)-671-3362



191 Forest Avenue
 Locust Valley, NY 11560-2132
 E-Mail:sales@multidyne.com
 Web Site: www.multidyne.com