

# Imagestore HDTV / 300+

Master control and branding processors (HD or SD)

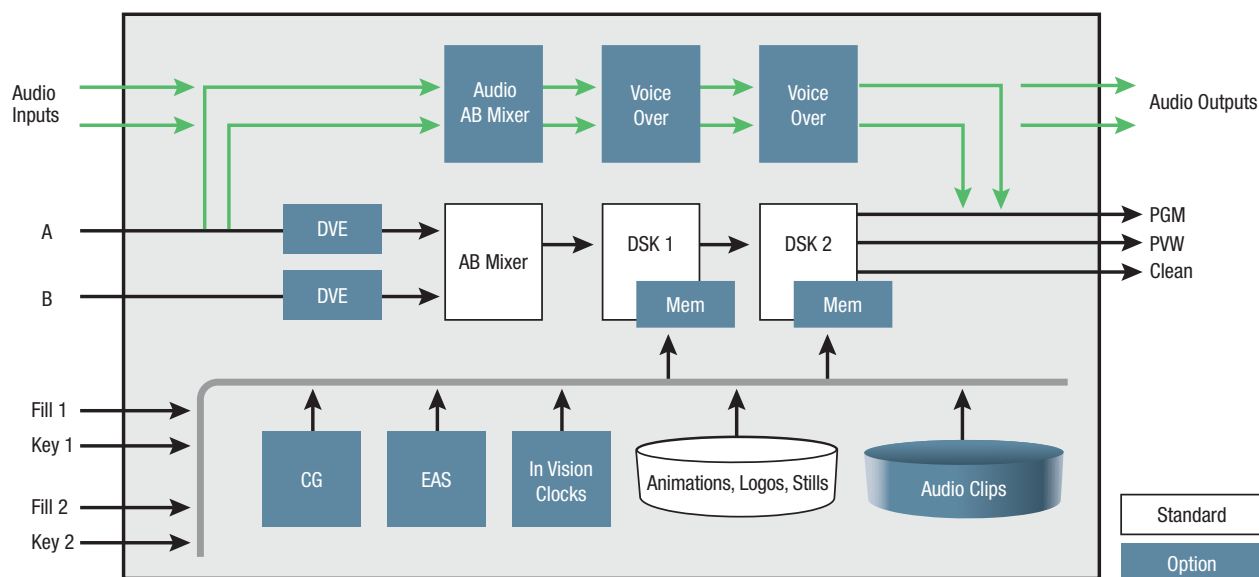
The Imagestore HDTV and Imagestore 300+ (SD) processors can be expanded to provide fully featured master control switching and channel branding graphics systems, with a choice of hard or soft panel control.



## Key Features and Benefits

- ⊕ HD or SD processors with multi-level animation/still playout, automated character generation, dual DVEs, and AB mixing
- ⊕ Configurable to suit lightly branded channels or graphics-rich channels demanding elaborate transitions
- ⊕ Serial or Ethernet automation via single interface, using widely supported 'Oxtel Series' protocol
- ⊕ Integral video and 16/8 channel audio mixer can provide dual language 5.1 mixing plus 5.1 audio playout
- ⊕ PresStation panel provides advanced manual control of up to 200 Imagestore HDTV / Imagestore 300+ processors
- ⊕ Imagestore HDTV version operates at 1080i/50, 1080i/59.94, 720p/59.94 and 720p/50

## Functional Block Diagram (see www.miranda.com for rear panel)



## Ordering Information

IS-HDTV	Imagestore HDTV automated master control and channel branding system (two keying layers, up to 512MB upgradeable memory per keying layer, dual outputs, redundant PSU, and Ethernet interface)	IS300+2RU	2RU Imagestore 300+ SD master control switching & channel branding processor (two keying layers, up to 256MB upgradeable memory per keying layer, mechanical bypass, redundant hot swap PSU and Ethernet interface)
		IS300+1RU	1RU Imagestore 300+ SD master control switching & channel branding processor (two keying layers, up to 256MB upgradeable memory per keying layer, mechanical bypass, redundant hot swap PSU and Ethernet interface)

See [www.miranda.com](http://www.miranda.com) for full list of options and upgrades