

SER-900

HD Serializer with Audio & Time Code Embedder for Sony HDCAM

Neat solution for on-set HD monitoring and recording

Miranda's SER-900 is a reduced feature set version of the DVC-802/822 which provides two HD-SDI outputs with audio and time code embedded for more effective on-set monitoring and recording.

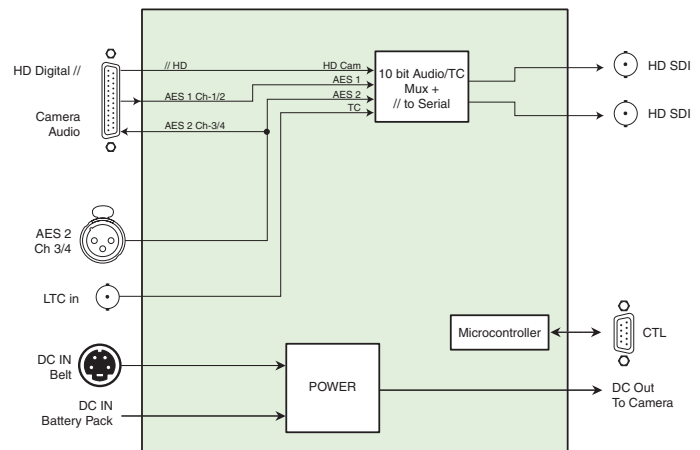
The SER-900 is also ideal for feeding an on-set "Video Village" using a single wire connected to a DVC-802/822 (see page 41).

See opposite page for complete camera interfaces range comparison chart.



Key Features and Benefits

- ▶ Two HD-SDI outputs with audio and Time Code embedded
- ▶ Ideal for on-set HD monitoring and recording
- ▶ Suitable for single wire configuration feeding remote "Video Village"
- ▶ Directly connected to an HDCAM's 50-pin Sony digital connector
- ▶ External audio AES2 input with adjustable delay
- ▶ Minimal processing delay
- ▶ Operates with full range of HD formats



SER-900 Functional Block Diagram

SER-900 Technical Specifications

INPUT		OUTPUT	POWER: < 2.5 Watts
HD SIGNAL	20-bit YPbPr HD as per HDW-F900 Sony Interface	HD SDI (2)	4:2:2 SMPTE 292M, SMPTE 299M
FORMAT:	1920x1080: 23.98psF, 24psF, 25psF, 29.97psF, 30psF, 50i, 59.94i, 60i	RETURN LOSS:	> 15 dB up to 1.5 GHz
	1280x720: 59.94p, 60p	JITTER:	< 0.2 UI p-p
CONNECTOR:	50-pin camera connector	CONNECTOR:	75 Ω BNC
AES1 (1/2)	AES3	AES2 (3/4)	Left Justified (48kHz clocks from camera, 20bits)
LEVEL:	LVTTTL, 3.3V	LEVEL:	LVTTTL, 3.3V
CONNECTOR:	50-pin camera connector	CONNECTOR:	50-pin camera connector, as per Sony HDCAM series
AES2 (3/4)	AES3	OTHERS	
LEVEL:	0.2 to 7.0 Vp-p	CONTROL	
IMPEDANCE:	110 Ω balanced	SIGNAL:	RS-232 for update
CONNECTOR:	XLR-3F	CONNECTOR:	DE-9P
LTC SIGNAL	SMPTE 12M	PROCESSING PERFORMANCE	
LEVEL:	0.2 to 5 Vp-p	SIGNAL PATH:	10-bit HD SDI
CONNECTOR:	75 Ω BNC	POWER INPUT:	11 – 17 VDC
		POWER	
		CONNECTOR:	XLR-4 and Battery connector Sony or Anton Bauer or PAG

Ordering Information

Model	Description
	HD Serializer with Audio & T.C. Embedder for Sony HDCAM
SER-900-ANTON	SER-900/Anton Bauer battery adapter
SER-900-IDX	SER-900/Sony battery adapter
SER-900-PAG	SER-900/PAG battery adapter