

DV-Bridge CAM

DV to SDI Decoder



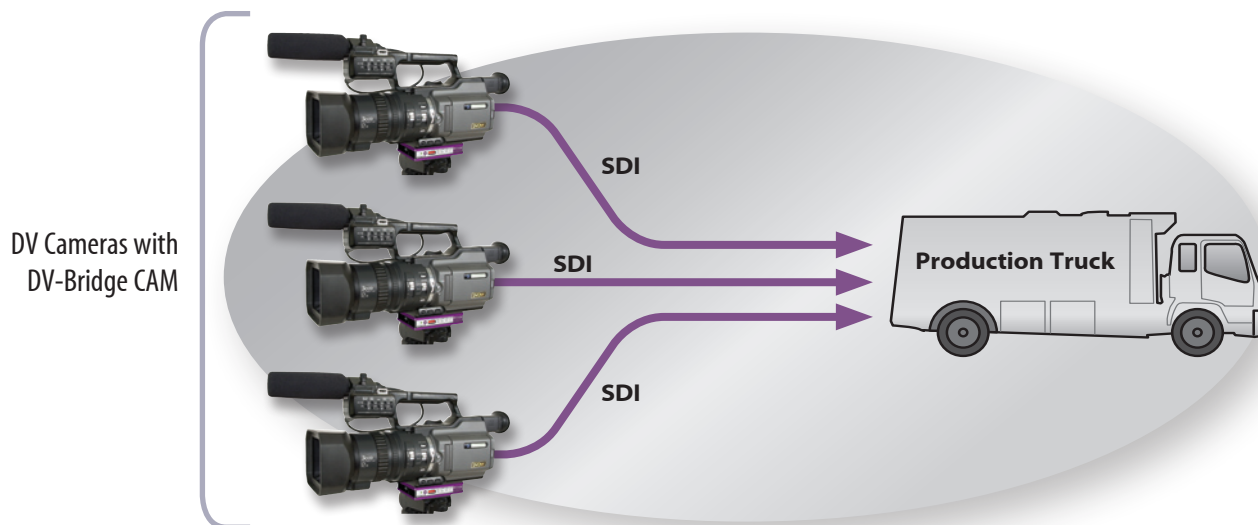
High quality SDI from low cost DVCAMs

Miranda's DV-Bridge CAM interface for pro and consumer DV cameras provides high quality DV to SDI conversion to enable these compact, low cost cameras to output broadcast standard video. The compact and lightweight interface is designed to mount on a tripod underneath a DVCAM.

In a post-production environment, DV-Bridge CAM can also be used with a PC editing station to playback any DV signal to SDI. The SDI output includes embedded audio and DVITC.

Key Features and Benefits

- Decodes 25Mbps DV stream to SDI
- Supports DV, DVCAM and DVCPRO formats
- Support of 32, 44.1 and 48 kHz DV audio sample rates
- SDI output features embedded audio and Time Code (DVITC)
- Digital Audio outputs locked at 48 kHz. (Embedded)
- 4-pin and 6-pin IEEE-1394 ports
- Convenient standalone package mounted between the camera and the tripod



Technical Specifications

DV INPUT

SD SIGNAL (2): 25 Mbps DV on IEEE-1394 DV / DVCAM / DVCPRO

SUPPORTED OS: Windows XP, MAC OS

UNCOMPRESSED DIGITAL OUTPUT

VIDEO SIGNAL: SDI SMPTE 259M-C (270 Mbps)

EMBEDDED AUDIO: Synchronous 20-bit/48 kHz SMPTE 272M-A

DVITC SIGNAL: SMPTE 12 M & 266 M

RETURN LOSS: > 15 dB up to 270 MHz

CONNECTOR: BNC

PROCESSING PERFORMANCE

COMPRESSION: DV format at 25 Mbps per DV Blue Book

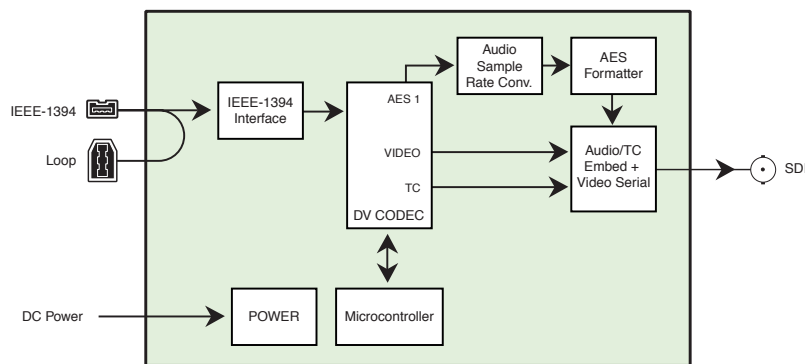
PROCESSING DELAY: 2 frames

ELECTRICAL

VOLTAGE RANGE: 6-17 VDC

POWER: < 2 W

WEIGHT: < 400 g



DV-Bridge Cam Functional Block Diagram

Ordering Information

DV-Bridge Cam DV to SDI Decoder