

## Mondo Matrix™ Cat5 Switcher



**Mondo Matrix™ 2213001**

### The Pro A/V Industry's Cat5 Switch Platform

RGBHV/audio/serial-ready, scalable solution from 16x16 to 256x256 greatly reduces rack space and connections

Magenta Research's pioneering Mondo Matrix™ is a full-matrix scalable Cat5 switch platform that distributes and switches video, audio and serial signals over a source to destination distance of one to fifteen hundred feet (457 meters), or more when using a Morph-It™ equipped with Dual EQ cards. The Mondo Matrix handles RGBHV, Component, HDTV, S-Video and Composite video at a maximum resolution of 2048x1536, with SPDIF digital audio, stereo or left/right mono audio, and/or simplex serial, depending on the accompanying MultiView transmitters and receivers.

Since the Mondo Matrix uses a single Cat5 in place of the five or more individual connectors needed in coax/BNC methods, the rack space required for a Mondo Matrix installation is typically 1/3 to 1/10 less. An array featuring the Mondo Matrix also significantly cuts power consumption, weight and installation labor. Furthermore, cabling costs can be reduced, as any category cables—shielded or unshielded—are compatible.

The Mondo Matrix is available in configurations that will meet the need of most design requirements, from 16x16 to 256x256, and is fully compatible with Magenta's full line of MultiView™ Series transmitters and receivers. The Mondo Matrix also features redundant (dual) power supplies for added reliability.

In order to achieve large configurations, Mondo Matrix frames (4U each) are cascaded vertically to satisfy large output ranges and horizontally to expand input needs. A 64x32 Mondo Matrix, for example, requires two frames (8U total).

#### Companion Products Include:



Morph-It™ Powered Rack Frame 400R3314  
Morph-It Dual EQ Card 400R3308  
Morph-It Dual Transmitter Card 400R3381

Pairing the Morph-It with a MultiView Matrix, Mondo Matrix, or MultiView 9D DA grants the ability to zero out input distance, which allows operators to adjust skew and EQ for cable length a single time, rather than adjusting every time a new input and output are paired. Up to 500 feet of Cat5/ UTP cable length can be electronically added or subtracted from the input source.



MultiView UTx  
Transmitter  
4003212



MultiView PCI  
Transmitter  
4003246



MultiView AK500  
Receiver  
4003299

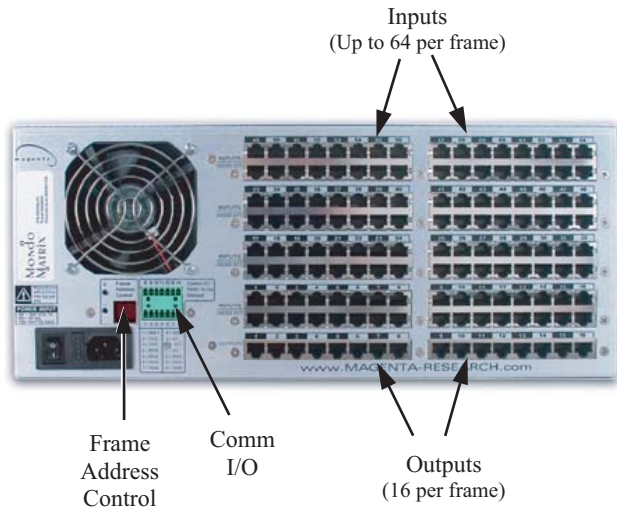


MultiView AK1000  
Receiver  
400R3093



MultiView AK1500  
Receiver  
400R3097

## Mondo Matrix™ Back Panel



## Mondo Matrix™ Comparison

### 64 in x 16 out RGBHV with Audio

#### THEN:

Baseband Analog  
video switch with  
BNC connections



36 RU  
6 Frames  
1020 Watts  
400 BNC Connects  
80 Audio Connects  
102 Pounds

#### NOW:

Cat5 switch with  
Magenta's Video  
over Cat5 technology



One Mondo Matrix

4 RU  
1 Frame  
150 Watts Max  
80 RJ45 Connects  
(for audio and video)  
16 Pounds

## Features/Benefits of Use:

- Configurable from 16x16 to 256x256—in steps of 16 inputs or outputs—to meet a wide-range of larger-scale full-matrix switching applications
- Audio and/or serial pairs can be switched separately
- Used in conjunction with the MultiView Series of Cat5 transmitters and receivers, enabling high-resolution video, audio and serial distribution to 1500 feet (457 meters)
- Video, audio and/or serial signals are switched in combination, greatly reducing complexity
- Cat5 / RJ45 inputs and outputs, rather than BNC's, lead to a dramatic reduction in:
  - connections
  - rack space
  - power consumption
  - installation labor

## Specifications:

### Video & Aux Signals:

Signal configuration: 4 identical, individually routable channels per RJ-45 jack.  
 Input impedance: 100Ω balanced (compatible with all MultiView equipment)  
 Nominal input amplitude: 1 Volt P-P  
 Dynamic headroom: >3dB  
 Gain from transmitter input to receiver output through switch: Unity  
 Coupling from transmitter input to receiver output: DC  
 Circuitry bandwidth: >220MHz  
 Signal type: 1,2,3,4 & 5 component video + aux channels (Via MultiView)  
 Input connectors: Sixty-four (64) RJ-45 Female (Full Population)  
 Loop out connectors: Sixty-four (64) RJ-45 Female (Full Population)  
 Output connectors: Sixteen (16) RJ-45 Female  
 Switch speed: 50 ns upon recognition of commands

### Audio:

Audio signals are ported into the MondoMatrix via MultiView components. The type of transmitters and receivers used therefore defines audio specifications. Please refer to the spec sheets for those components.

### Control:

Protocol to switch: RS-232/RS-422, Selectable; 9600 baud standard  
 Protocol between master and slave frames: RS-232  
 Interface connector, input: 7 position Phoenix  
 Interface connector, output: 7 position Phoenix

All input to output switching commands are received and processed by the master frame. Additional frames used within the matrix are connected in a daisy chain and receive processed complex routing commands from the master frame.

### Power:

Power input: 90~264 V / 50~60 Hz  
 Consumption: 150 W Max

### Environmental:

Temperature/humidity: Storage -40° to +158°F (-40° to +70°C) / 10% to 90% non-condensing  
 Operating: 0° to +100°F (0° to +37°C) / 10% to 90%, non-condensing

### Mechanical:

Rack mount: Standard, 4U 19" EIA  
 Enclosure type: Front Panel: Powder coat chassis, passivated aluminum  
 Enclosure dimensions: 6.7" H x 19" W x 10.5" D (170 mm H x 483 mm W x 267 mm D)  
 Mass: 16 lbs (7.3 kg) fully populated  
 Vibration: ISTA/NSTA 1A in carton (International Safe Transit Association)  
 Compliances: CE; FCC Class A Safety: EN60950  
 MTBF: 100,000 hours, nominal  
 Warranty: 1 Year

Magenta Research is the industry-recognized leader in the adaptive distribution and switching of video/audio/serial signals over Cat5 cable, and more recently, DVI over fiber and/or Cat6. Over nine years, Magenta has developed the highest-performance, most flexible video-over-Cat5 product line, the MultiView Series. The company utilizes patent-pending RepliSync™ and complex, state-variable signal EQ technologies to enable UXGA video distribution at 1,500 feet (457m) and QXGA video at 1,000 ft. (305m). MultiView Series transmitters, receivers, switchers and distributive systems have been installed in a large variety of A/V applications, especially dynamic signage for airport, retail, fast food, museum, casino, theatre, courtroom and corporate applications. Based in New Milford, CT, Magenta utilizes a network of international distributors, manufacturers representatives and resellers to market its enabling technology worldwide.

