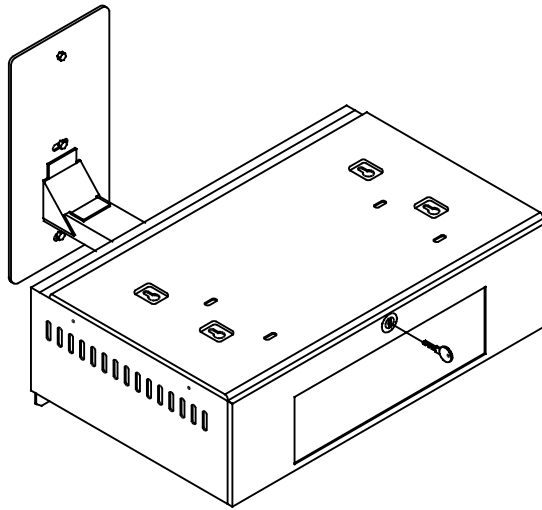




**LUCASEY<sup>®</sup>**  
MOUNTING SYSTEMS

## VSKITSSR

TV/VCR SINGLE STUD WALL STACKER ACCESSORY KIT



Shown with VS00 mounted

MODEL	TYPE	SHIP. WT.(lbs)
VSKITSSR	Wall, Single Stud	6

**NOTES:**

- VS00 must be ordered separately.

Protected under one or more of these or pending United States patent numbers: 3,291,432; 3,559,942; 3,724,798; 4,013,109; 4,852,842; 4,878,645; DES.309,562; 4,973,023; 5,169,114; 5,255,884; 5,310,152; 5,522,576; 5,621,614; Re.35,677; DES.398,834; 5,826,384; 5,941,492; 5,964,068  
© 2000 LUCASEY MANUFACTURING CORPORATION, Oakland, California. All rights reserved.

**1-800-LUCASEY**