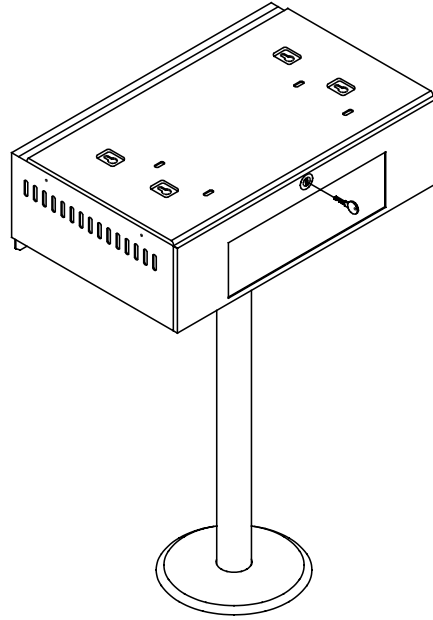




**LUCASEY<sup>®</sup>**  
MOUNTING SYSTEMS

## VSKITP2A

TV/VCR ANCHOR BASE PEDESTAL STACKER ACCESSORY KIT



Shown with VSOO mounted

MODEL	TYPE	HEIGHT	SHIP. WT.(lbs)
VSKITP2A	Pedestal, 2-1/4" Diameter, Anchor base	34"	10

**NOTES:**

- **VSOO** must be ordered separately.

Protected under one or more of these or pending United States patent numbers: 3,291,432; 3,559,942; 3,724,798; DES.270,689; 4,613,109; 4,852,842; 4,878,645; DES.309,562; 4,973,023; 5,169,114; 5,255,884; 5,310,152; 5,522,576; 5,621,614; Re.35,677; DES.398,834; 5,826,384; 5,941,492; 5,964,068  
© 2000 LUCASEY MANUFACTURING CORPORATION, Oakland, California. All rights reserved.

**1-800-LUCASEY**