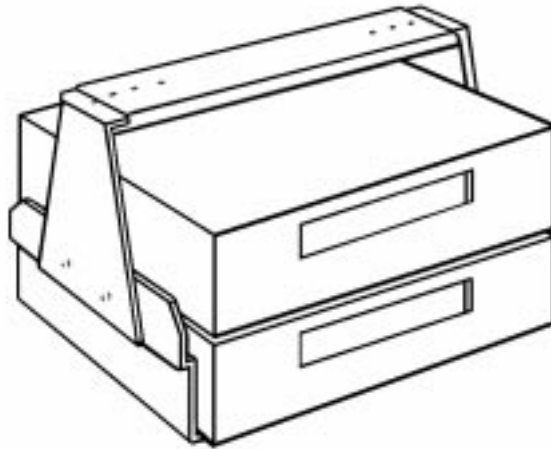




VCRX

ADJUSTABLE DOUBLE VCR AND CABLE BOX MOUNTS



MODEL	CAVITY WIDTH	CAVITY DEPTH	SWIVEL	TILT	CAVITY HEIGHT	BLACK WRINKLE	GLOSS BLACK	GLOSS WHITE	SHIP. WT. (lbs)
VCRX914	9"-14"	11"	0°	0°	8-3/4"	•			5
VCRX914B	9"-14"	11"	0°	0°	8-3/4"		•		5
VCRX914W	9"-14"	11"	0°	0°	8-3/4"			•	5
VCRX1420	14"-20"	11"	0°	0°	8-3/4"	•			6
VCRX142B	14"-20"	11"	0°	0°	8-3/4"		•		6
VCRX142W	14"-20"	11"	0°	0°	8-3/4"			•	6

MODEL	MOUNT COMPATIBILITY
VCRX914	* CTL, SS, SSWP, 1700, DS, DSWP, SD, SDWP
VCRX914B	HM-B, HMS-B, 1700-B
VCRX914W	HM-W, HMS-W, 1700-W
VCRX1420	* CTL, SS, SSWP, 1700, DS, DSWP, SD, SDWP
VCRX142B	HM-B, HMS-B, 1700-B
VCRX142W	HM-W, HMS-W, 1700-W

* ACM, DSCM, SDCM & SSCM requires adapter #APVCRU (sold separately)

NOTES: • Adhesive grip pads.

Protected under one or more of these or pending United States patent numbers: 3,291,432; 3,559,942; 3,724,798; DES.270,689; 4,613,109; 4,852,842; 4,878,645; DES.309,562; 4,973,023; 5,169,114; 5,255,884; 5,310,152; 5,522,576; 5,621,614; Re.35,677; DES.398,834; 5,826,384; 5,941,492; 5,964,068
© 2000 LUCASEY MANUFACTURING CORPORATION, Oakland, California. All rights reserved.

1-800-LUCASEY