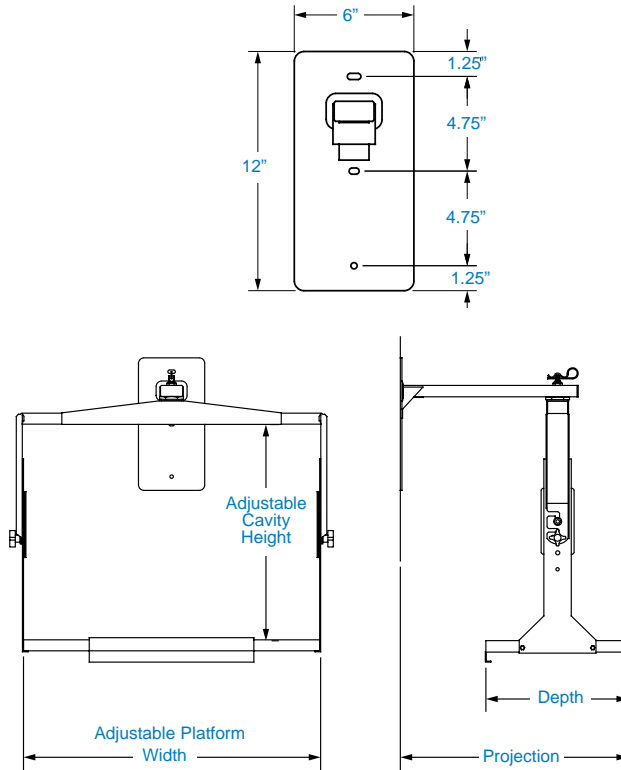




## SSCM2030 Series

### ADJUSTABLE YOKE WALL MOUNT



MODEL	PLATFORM WIDTH	PLATFORM DEPTH	LOAD LIMIT (lbs)	SWIVEL	TILT	CAVITY HEIGHT	PROJECTION	BLACK WRINKLE	SHIP. WT.(lbs)
SSCM1420	14"-20"	11"	75	360°	0°-15°	11-3/4"-19-1/4"	19-3/4"	•	20
SSCM2030	20"-30"	13"	75	360°	0°-15°	16-3/4"-24-1/4"	20-3/4"	•	25

**NOTES:**

- Wood stud hardware included.
- Safety strap included.
- See [Wall Mount Accessories](#) for special hardware and accessories.

1-800-LUCASEY