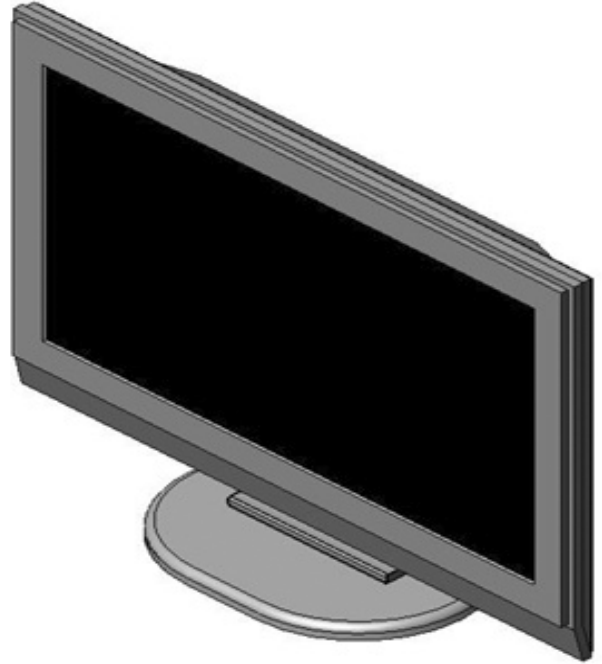


SLELCD Stealth Locking Furniture Mount

for Flat Screens up to *26"

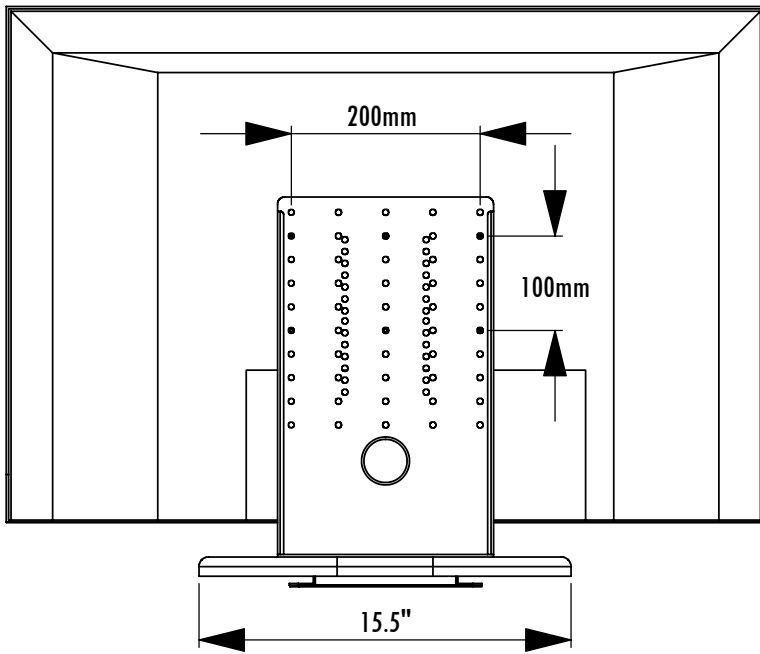
with 200mm x 100mm, 100mm x 100mm or 75mm x 75mm Mounting Patterns

Model	LoadLimit (lbs.)	Swivel	Tilt	Mounting Pattern	Ship. Wt. (lbs.)
SLELCD	50	360°	0°	Up to 200mm	13

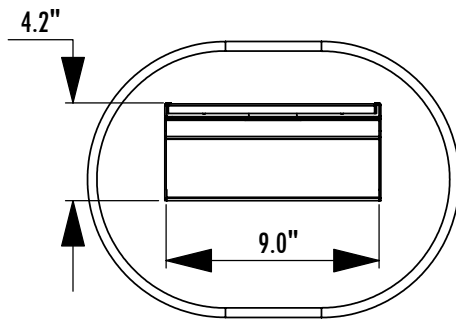
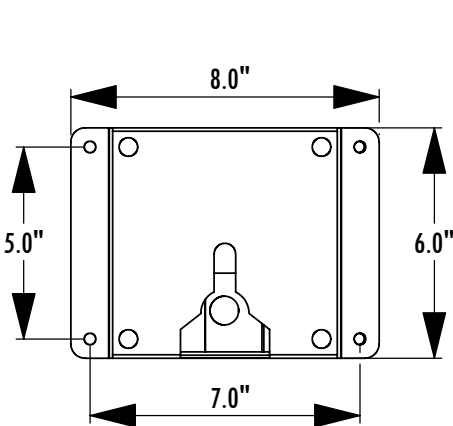
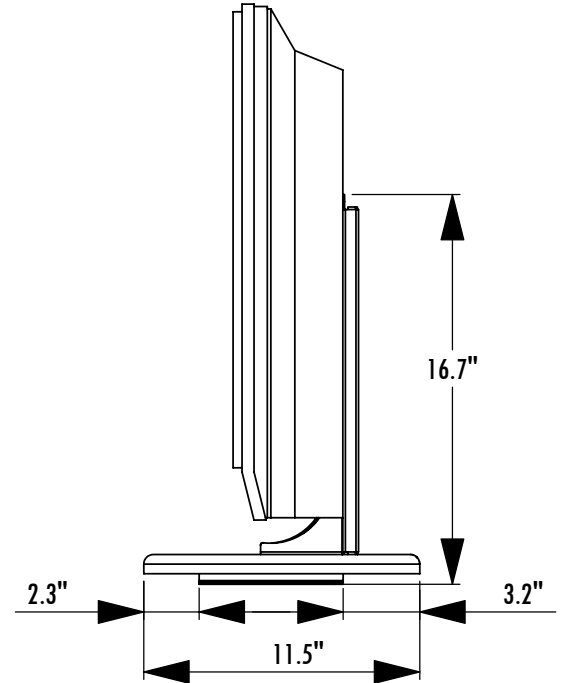


Monitor Not Included

Note: Monitor must have mounting pattern with the bottom mounting hole less than 9.5" from the bottom of the monitor for this mount to work. If the monitor has a 200mm x 200mm mounting pattern, or the mounting pattern is high on the back of the monitor use the SLELCDT.



* Fits some 32" models depending upon the monitor dimensions and mounting hole location.



1-800-LUCASEY • 1-510-534-1435

©2008 Lucasey Manufacturing Corporation, Oakland, California

