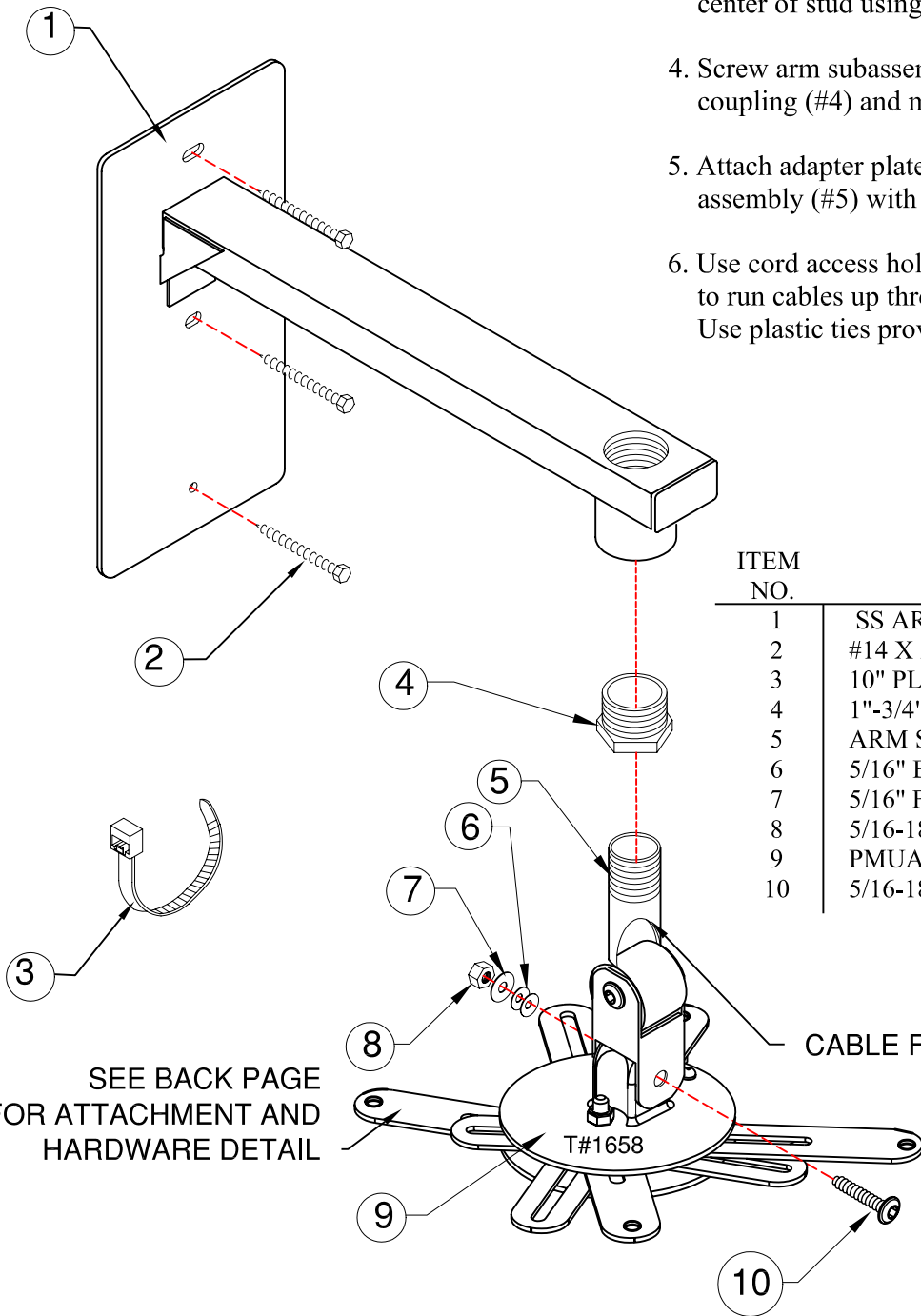


PMUW

Universal Projector Wall Mount

1. Attach adapter plate (#9) to your projector (see adapter plate instructions PMUA on back page).
2. Predetermine the best possible viewing location for the projector allowing for tilt and pivot action.
3. Wood stud installation: Locate center of wall stud. Use back plate of mounting arm (#1) as template to determine location of holes. Drill pilot holes with 3/16" bit into center of wall stud. Attach mounting arm to center of stud using wood screws provided (#2).
4. Screw arm subassembly (#5) into reducer coupling (#4) and mounting arm (#1).
5. Attach adapter plate (#9) with mounted projector to assembly (#5) with hardware shown in illustration.
6. Use cord access hole in bottom of arm subassembly (#5) to run cables up through pipe when application allows. Use plastic ties provided to tie up any loose cords.



ITEM NO.	DESCRIPTION	QTY
1	SS ARM WITH COUPLING	1
2	#14 X 2-1/2" TAPPING SCREW	3
3	10" PLASTIC TIES	2
4	1"-3/4" REDUCER COUPLING	1
5	ARM SUBASSEMBLY	1
6	5/16" BELLEVILLE WASHER	4
7	5/16" FLAT WASHER	2
8	5/16-18 NYLON LOCK NUT	2
9	PMUA UNIVERSAL ADAPTER	1
10	5/16-18 x 2" Socket Head Flange Screw	2

SEE BACK PAGE FOR ATTACHMENT AND HARDWARE DETAIL

CABLE FEED ACCESS HOLE

T#1658