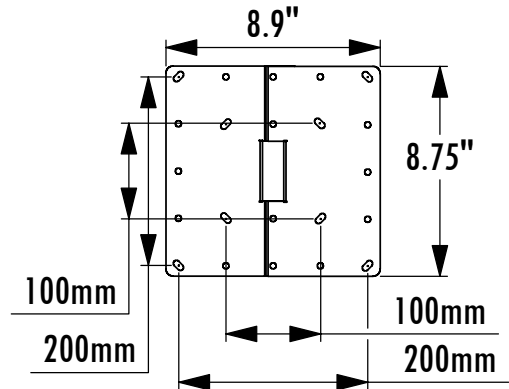
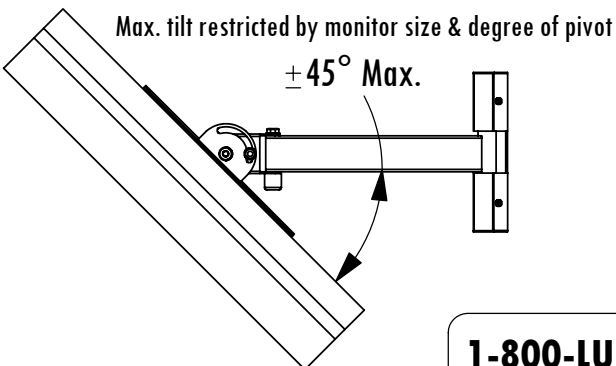
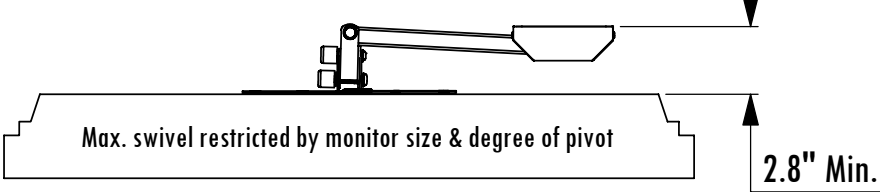
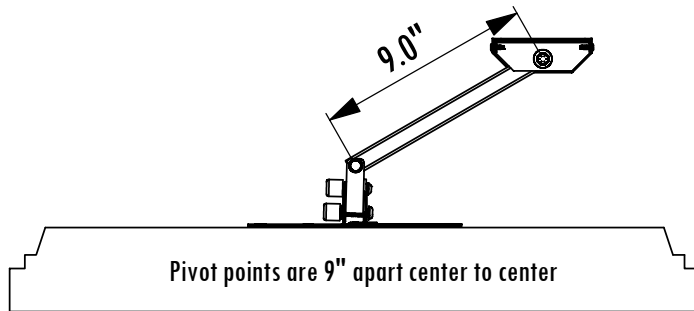
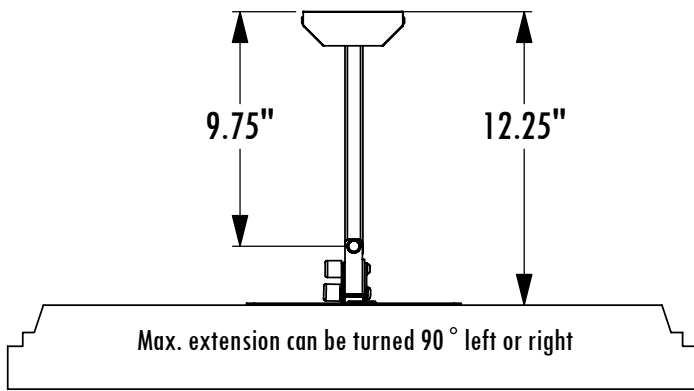
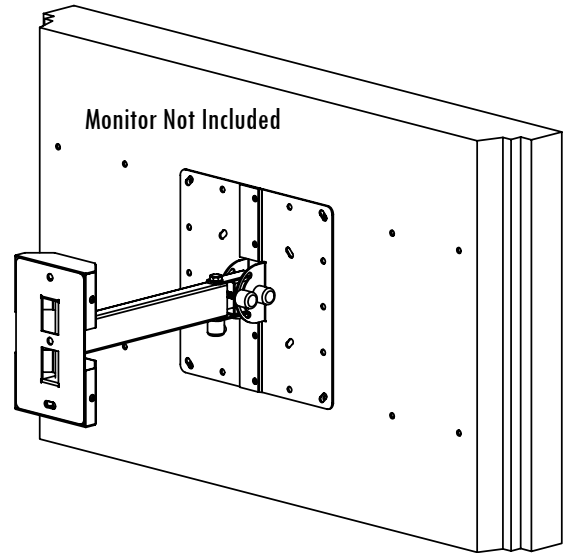


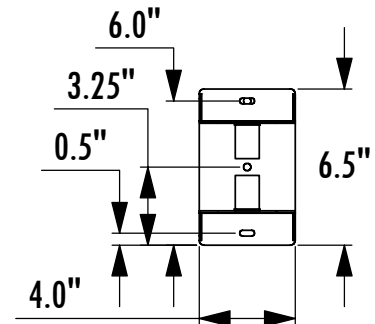
LC200WA2 Dimensions

Articulating Wall Mount for 20" to 32" Flat Panel Screens

Model	Load Limit (lbs.)	Swivel	Tilt	Projection from Wall	Mounts to Boss Patterns	Ship. Wt. (lbs.)
LC200WA2	50	180°	±45°	2-3/4"-12"	up to 200mm VESA	7



VESA Plate



Wall Plate

1-800-LUCASEY • 1-510-534-1435

