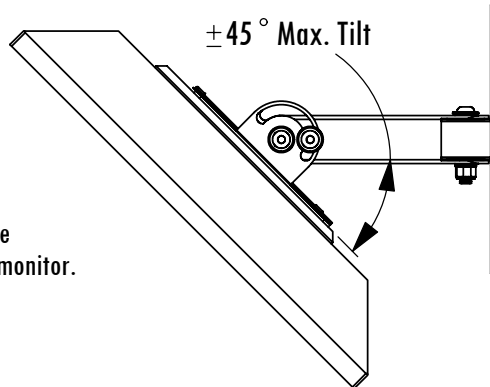
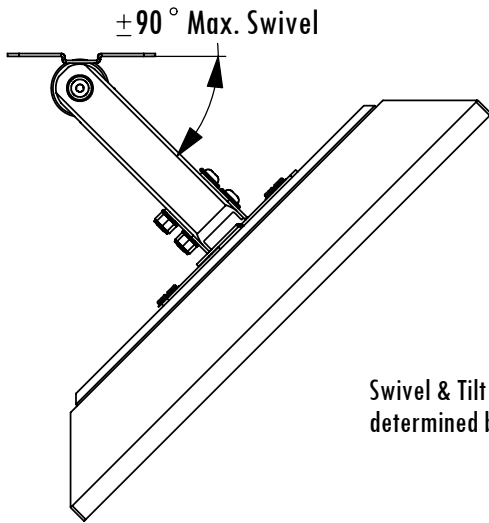
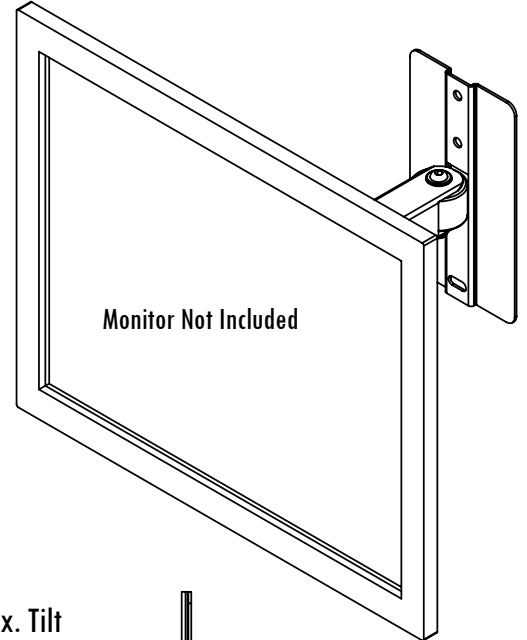


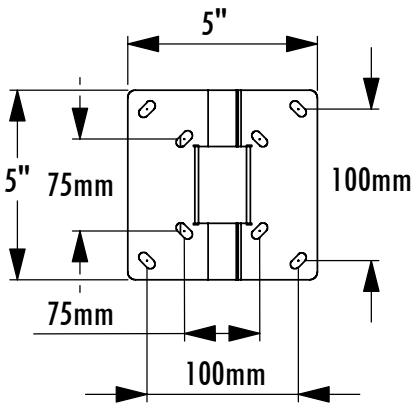
LC100WP Dimensions

Wall Mount for Flat Panel Screens up to 32"

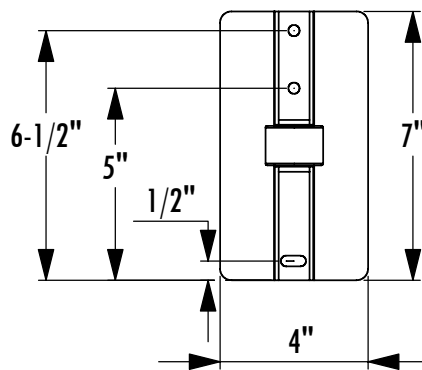
Model	Load Limit (lbs.)	Swivel	Tilt	Projection from Wall	Ship. Wt. (lbs.)
LC100WP	50	180°	±45°	6-1/2"	7



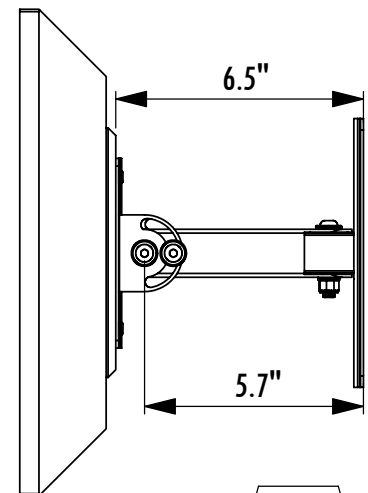
Swivel & Tilt Max. angle determined by size of monitor.



100mm VESA® Plate



Wall Plate



1-800-LUCASEY • 1-510-534-1435

©2005 Lucasey Manufacturing Corporation, Oakland, California

