

YA7-FML
YA7-FMH
FM YAGI ANTENNA
7 dBd gain
88–98 MHz
98–108 MHz

The Kathrein Scala Division YA7-FML and YA7-FMH are ruggedly built yagi antennas, designed for professional FM transmit and receive applications.

Like all Kathrein Scala Division antennas, the YA7-FML and YA7-FMH are made of the finest materials using state of the art electrical and mechanical designs, resulting in superior performance and long service life.

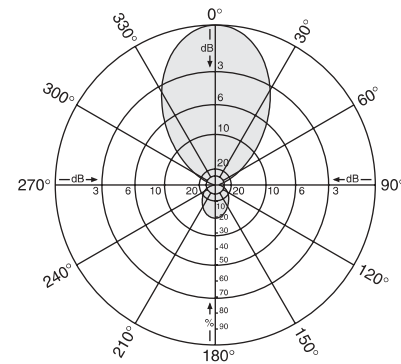
The YA7-FML and YA7-FMH may be used stand-alone or in stacked arrays for higher gain, increased side-lobe suppression, or custom azimuth patterns.

Specifications:

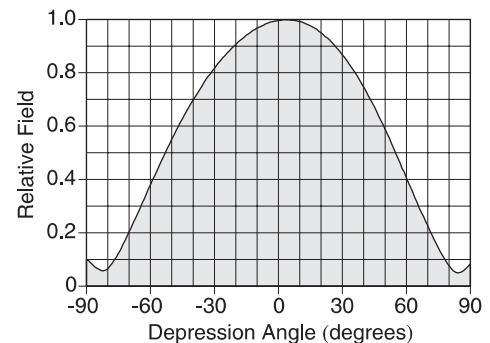
Frequency range	YA7-FML 88–98 MHz YA7-FMH 98–108 MHz
Gain	7 dBd
Impedance	50 ohms
VSWR	< 1.35:1
Polarization	Horizontal or vertical
Front-to-back ratio	13 dB
Maximum input power	500 watts
Azimuth pattern	56 degrees (half-power) horizontal polarization
Elevation pattern	83 degrees (half-power) horizontal polarization
Connector	N female
Weight	22 lb (10 kg) maximum
Dimensions	85 x 66 x 5 inches maximum (2159 x 1676 x 127 mm)
Equivalent flat plate area	2.92 ft ² (0.269 m ²) maximum
Wind survival rating*	100 mph (160 kph)
Shipping dimensions	87 x 13 x 8 inches maximum (2210 x 330 x 203 mm)
Shipping weight	28 lb (12.7 kg) maximum
Mounting	For masts of 2.375 inches (60 mm) OD.
YA7-FML/HCM	Center-mount 88–98 MHz
YA7-FML/URM	Rear-mount 88–98 MHz
YA7-FMH/HCM	Center-mount 98–108 MHz
YA7-FMH/URM	Rear-mount 98–108 MHz

See reverse for order information.

* Mechanical design is based on environmental conditions as stipulated in EIA-222-F (June 1996) and/or ETS 300 019-1-4 which include the static mechanical load imposed on an antenna by wind at maximum velocity. See the Engineering Section of the catalog for further details.



Azimuth pattern (E-plane)

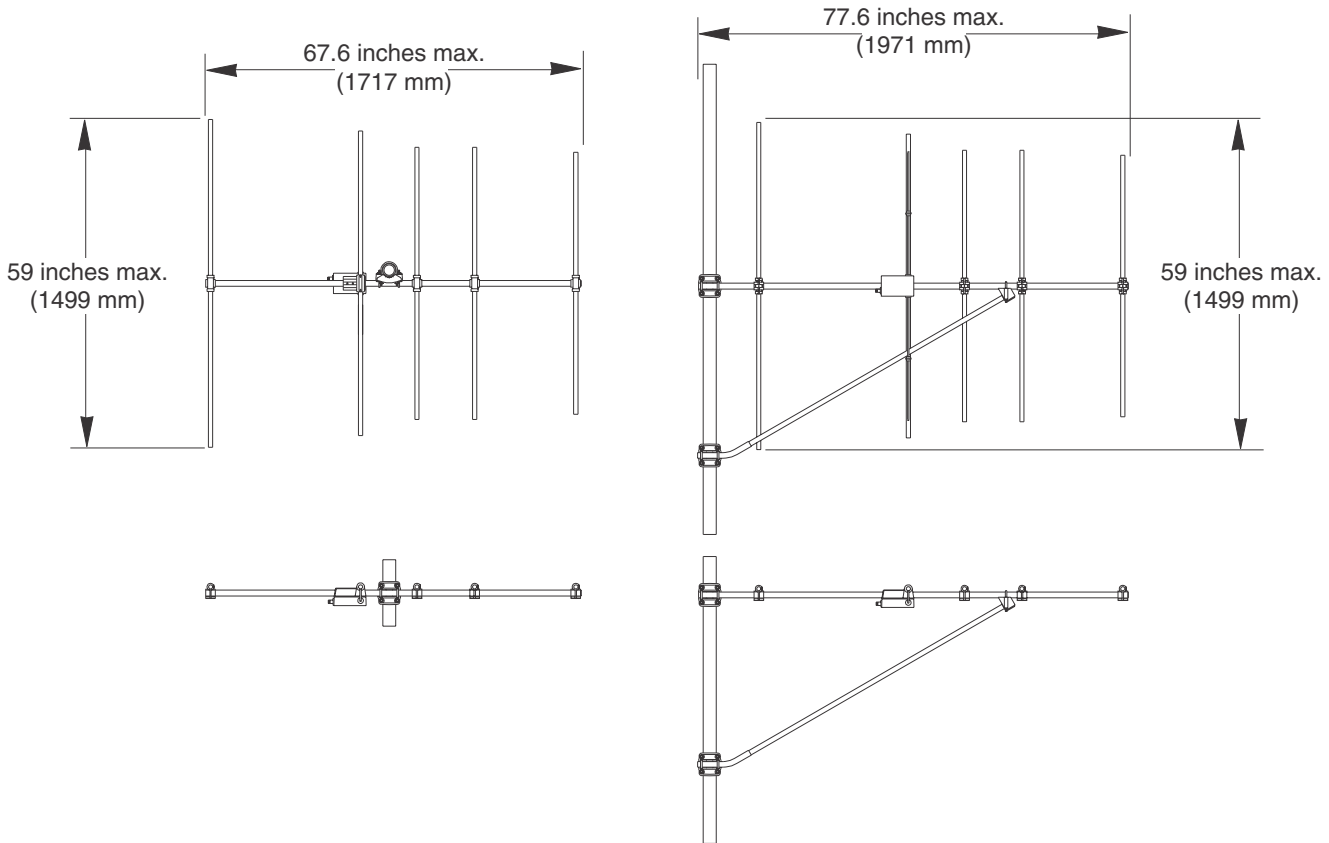


Elevation pattern (H-plane)



10723-A

YA7-FML
YA7-FMH
FM YAGI ANTENNA
7 dBd gain
88–98 MHz
98–108 MHz



Order Information:

Model	Description
YA7-FML/HCM	Center-mount 88–98 MHz antenna
YA7-FML/URM	Rear-mount 88–98 MHz antenna
YA7-FMH/HCM	Center-mount 98–108 MHz antenna
YA7-FMH/URM	Rear-mount 98–108 MHz antenna

All specifications are subject to change without notice