

Kathrein Scala's omnidirectional antennas for wireless, paging, SMR and mobile applications are extremely robust, using the finest fiberglass, brass, and aluminum. Applicable mounting hardware is fabricated from stainless steel. Many models may be mounted inverted. Higher gain antennas can be provided with downtilt, as well.

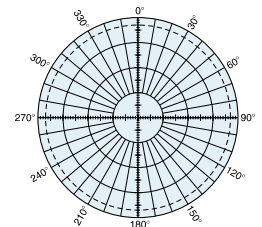
- Wireless
- Paging
- SMR
- Land Mobile
- ISM

Specifications:

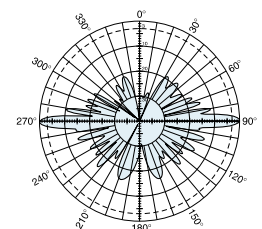
Frequency range	824–894 MHz
Gain	11 dBi
Impedance	50 ohms
VSWR	< 1.5:1
Intermodulation (2x20w)	IM3: <-150dBc
Polarization	Vertical
Maximum input power	500 watts (at 50°C)
H-plane beamwidth	Omni
E-plane beamwidth	7 degrees (half-power)
Electrical downtilt	0, 3, or 5 degrees
Connector	N or 7-16 DIN female
Weight	18.5 lb (8.4 kg)
Height	127.4 inches (3235 mm)
Radome diameter	2 inches (51 mm)
Wind survival rating	110 mph (180 kph)
Equivalent flat plate area	2.08 ft ² (0.196 m ²)
Shipping dimensions	146 x 5.5 x 5.5 inches (3708 x 140 x 140 mm)
Shipping weight	37 lb (16.8 kg)
Mounting	Mounting hardware supplied. For masts of 2 to 3.75 inch (50 to 94 mm) OD. Inverted models available. Optional reflector kits available. Call Customer Service for details.

See reverse for order information.

* Mechanical design is based on environmental conditions as stipulated in EIA-222-F (June 1996) and/or ETS 300 019-1-4 which include the static mechanical load imposed on an antenna by wind at maximum velocity. See the Engineering Section of the catalog for further details.



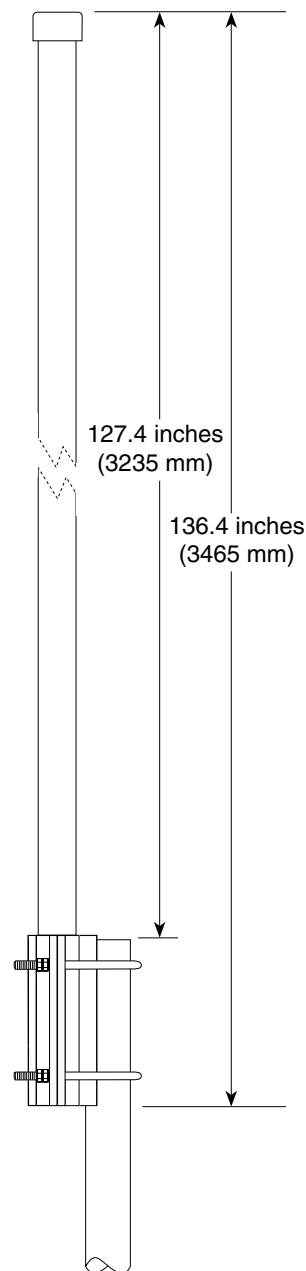
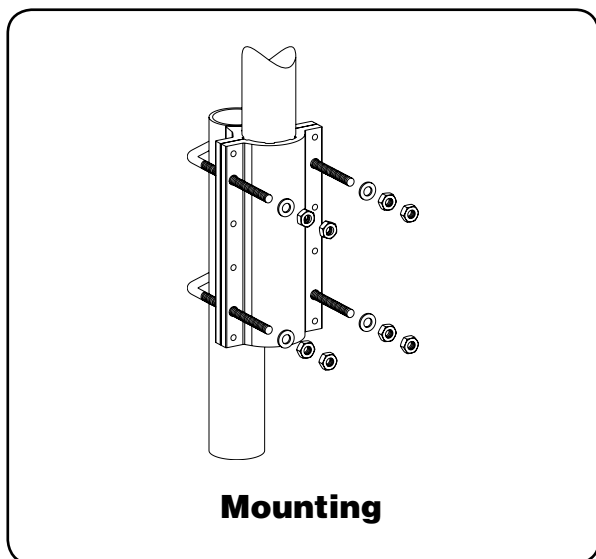
H-plane
Horizontal pattern
V-polarization



E-plane
Vertical pattern
V-polarization



10520-F



Order Information:

Model	Description
OGC9-860N	Antenna with N connector 0° electrical downtilt
OGC9-860D	Antenna with 7-16 DIN connector 0° electrical downtilt
OGC9-860N/DT3	Antenna with N connector 3° electrical downtilt
OGC9-860D/DT3	Antenna with 7-16 DIN connector 3° electrical downtilt
OGC9-860N/DT5	Antenna with N connector 5° electrical downtilt
OGC9-860D/DT5	Antenna with 7-16 DIN connector 5° electrical downtilt
OGC9-860NU	Antenna with N connector For inverted installation 0° electrical downtilt
OGC9-860DU	Antenna with 7-16 DIN connector For inverted installation 0° electrical downtilt
OGC9-860NU/DT3	Antenna with N connector For inverted installation 3° electrical downtilt
OGC9-860DU/DT3	Antenna with 7-16 DIN connector For inverted installation 3° electrical downtilt
OGC9-860NU/DT5	Antenna with N connector For inverted installation 5° electrical downtilt
OGC9-860DU/DT5	Antenna with 7-16 DIN connector For inverted installation 5° electrical downtilt

All specifications are subject to change without notice. The latest specifications are available at www.kathrein-scala.com.