

# HDCA-5

## VHF-TV YAGI ANTENNA

6.5 to 8 dBd gain  
54 to 216 MHz (Channels 2–13)

The Scala HDCA-5 is a ruggedly built yagi antenna, designed for professional VHF-TV transmit and receive applications.

Like all Scala antennas, the HDCA-5 is made of the finest materials resulting in superior performance and long service life.

The HDCA-5 may be used stand-alone or in stacked arrays for higher gain, increased side-lobe suppression, or custom azimuth patterns.



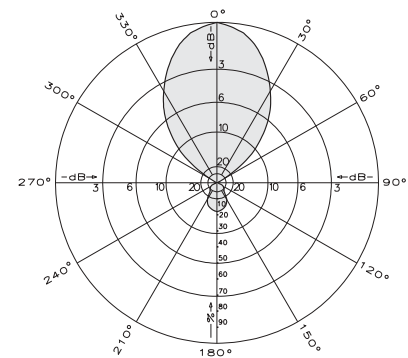
### Specifications:

Frequency range	Any specified VHF-TV channel 54 to 216 MHz	
Gain	Channels 2–3	6.75 dBd
	Channels 4–6	7.5 dBd
	Channels 7–13	8 dBd
Impedance	75 ohms (50 ohms with optional transformer)	
VSWR	< 1.5:1	
Polarization	Horizontal or vertical	
Front-to-back ratio	>14 dB	
Maximum input power	250 watts, type "N" 75 ohm termination	
Azimuth pattern	Channels 2–3	58 degrees (half-power)
	Channels 4–6	52 degrees (half-power)
	Channels 7–13	54 degrees (half-power)
Elevation pattern	68 degrees (half-power)	
Connector	75Ω N female	
Weight	19.7 lb (9 kg) maximum	
Dimensions	106.5 x 105.9 inches maximum (2705 x 2690 mm)	
Equivalent flat plate area	4.3 ft <sup>2</sup> (0.4 m <sup>2</sup> ) maximum	
Wind survival rating	120 mph (194 kph)	
Shipping dimensions	112 x 6 x 5 inches maximum (2845 x 153 x 127 mm)	
Shipping weight	25 lb (11.3 kg) maximum	
Mounting	For masts of 2.375 inches (60 mm) OD.	
	<b>HDCA-5/HCM</b>	Horizontal polarization center-mount
	<b>HDCA-5/HRM</b>	Horizontal polarization rear-mount
	<b>HDCA-5/URM</b>	Horizontal or vertical polarization rear-mount

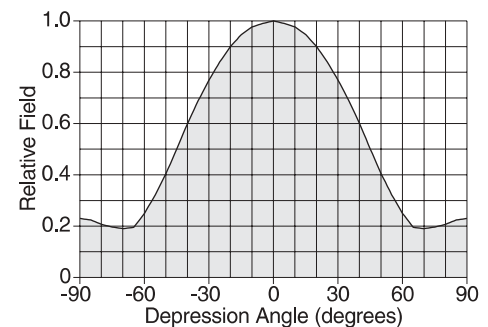
\* Mechanical design is based on environmental conditions as stipulated in EIA-222-F (June 1996) and/or ETS 300 019-1-4 which include the static mechanical load imposed on an antenna by wind at maximum velocity. See the Engineering Section of the catalog for further details.

### Order Information:

Contact Scala Customer Service for detailed order information.



**Azimuth pattern (E-plane - typical)**



**Elevation pattern (H-plane)**



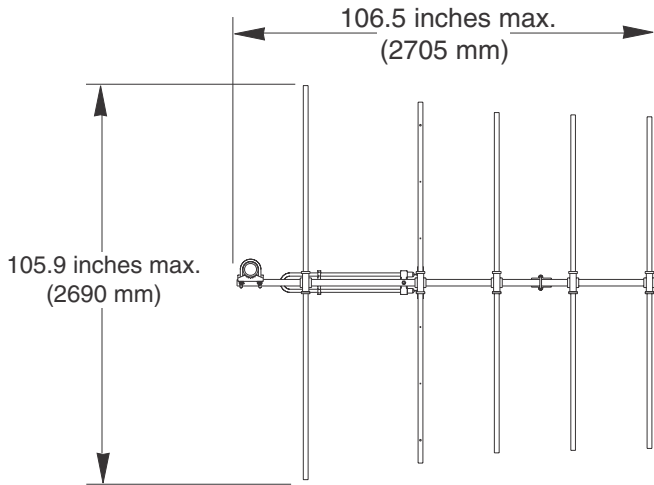
10743-A

**HDCA-5**

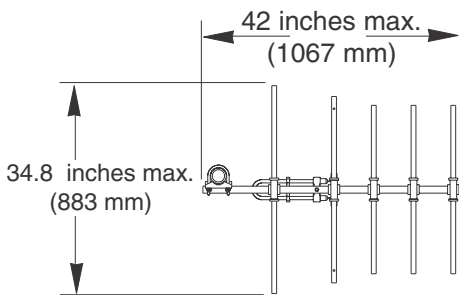
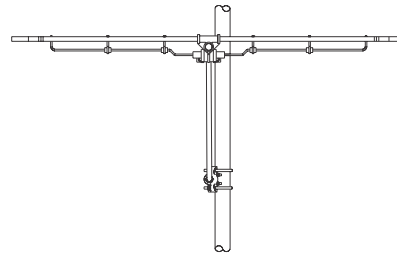
VHF-TV YAGI ANTENNA

6.5 to 8 dBd gain

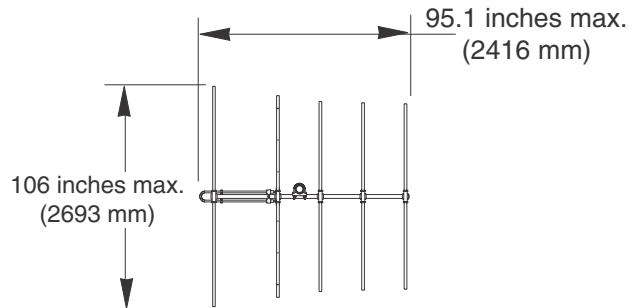
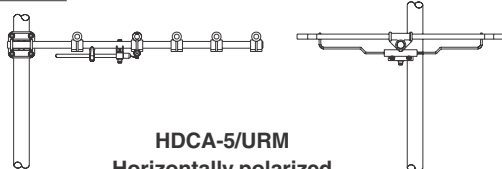
54 to 216 MHz (Channels 2–13)



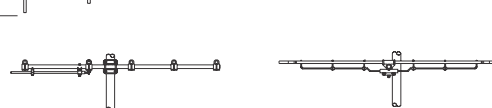
**HDCA-5/HRM**  
Horizontally polarized  
Channels 2–6



**HDCA-5/URM**  
Horizontally polarized  
Channels 7–13



**HDCA-5/HCM**  
Horizontally polarized  
Channels 2–13



**Order Information:**

Contact Scala Customer Service for detailed order information.

All specifications are subject to change without notice