

# HDCA-10

## FM YAGI ANTENNA

9.5 dBd gain  
88 to 108 MHz

The Kathrein-Scala HDCA-10 is a ruggedly built yagi antenna, designed for professional FM transmit and receive applications.

Like all Kathrein-Scala antennas, the HDCA-10 is made of the finest materials resulting in superior performance and long service life.

The HDCA-10 may be used stand-alone or in stacked arrays for higher gain, increased side-lobe suppression, or custom azimuth patterns.



### Specifications:

Frequency range	Any specified FM channel 88 to 108 MHz
Gain	9.5 dBd
Impedance	75 ohms (50 ohms with optional transformer)
VSWR	< 1.5:1
Polarization	Horizontal
Front-to-back ratio	>14 dB
Maximum input power	250 watts, type "N" 75 ohm termination
Azimuth pattern	48 degrees (half-power)
Elevation pattern	50 degrees (half-power)
Connector	75Ω N female
Weight	34 lb (15.4 kg)
Dimensions	132.2 x 70.6 inches max. (3359 x 1794 mm)
Equivalent flat plate area	5.12 ft <sup>2</sup> (0.475 m <sup>2</sup> ) max
Wind survival rating*	100 mph (160 kph)
Shipping dimensions	125 x 6 x 5 inches (3175 x 153 x 127 mm)
Shipping weight	37 lb (16.8 kg)
Mounting	For masts of 2.375 inches (60 mm) OD.

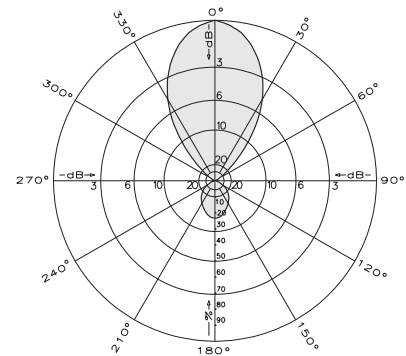
**HDCA-10/HCM** Horizontal polarization center-mount

**HDCA-10/HRM** Horizontal polarization rear-mount

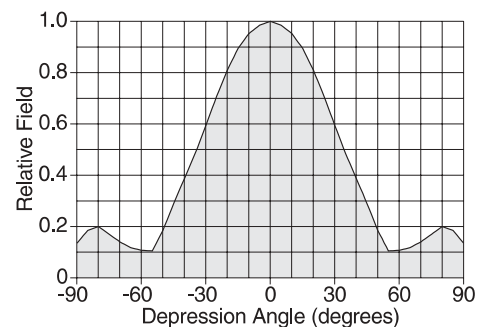
\* Mechanical design is based on environmental conditions as stipulated in EIA-222-F (June 1996) and/or ETS 300 019-1-4 which include the static mechanical load imposed on an antenna by wind at maximum velocity. See the Engineering Section of the catalog for further details.

### Order Information:

Contact Kathrein-Scala Customer Service for detailed order information.



**Azimuth pattern (E-plane - typical)**

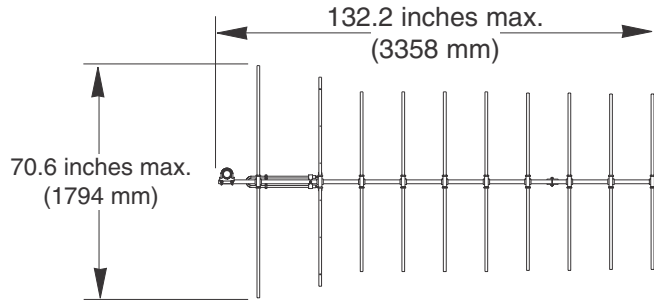


**Elevation pattern (H-plane)**

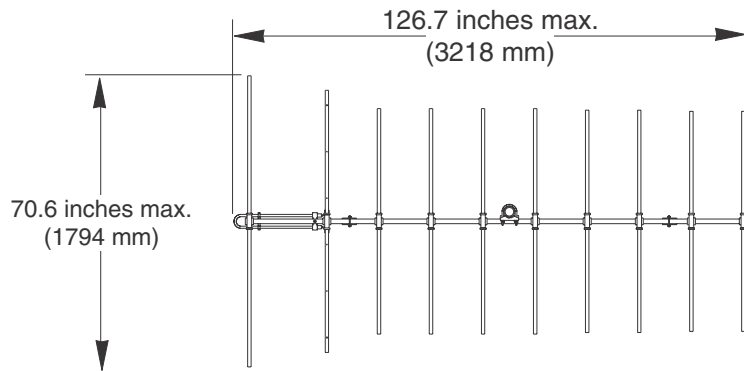
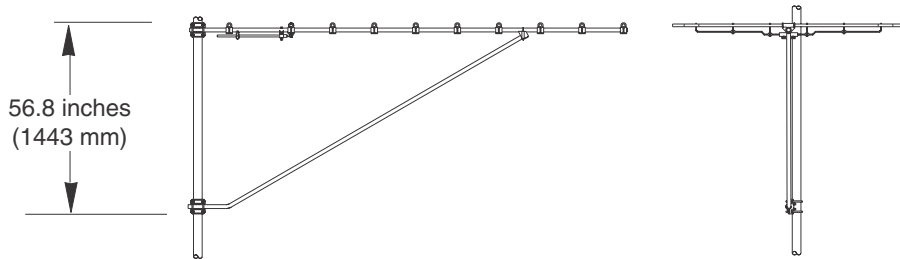


10767-A

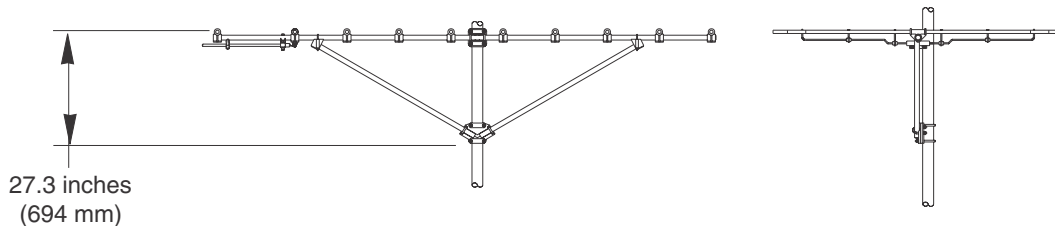
**HDCA-10**  
FM YAGI ANTENNA  
9.5 dBd gain  
88 to 108 MHz



**HDCA-10/HRM**  
Horizontally polarized



**HDCA-10/HCM**  
Horizontally polarized



**Order Information:**

Contact Kathrein-Scala Customer Service for detailed order information.

All specifications are subject to change without notice