

The Kathrein Scala Division CDV-150 broadband dipole antenna is intended for use in professional fixed-station applications in the 147–174 MHz band. It features:

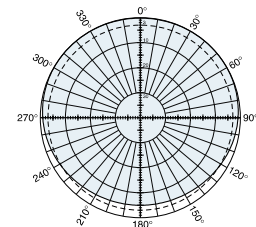
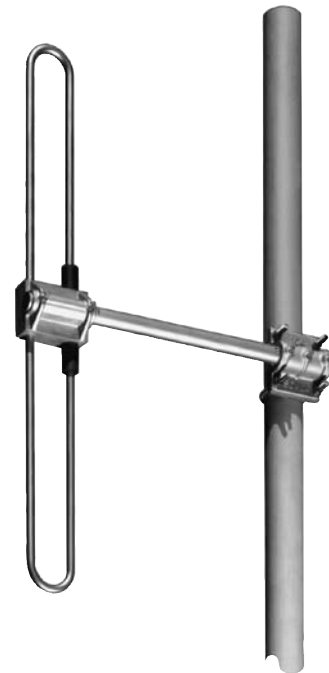
- Broad pattern with moderate gain.
- Anodized, triple laminated dipole for superior strength.
- Extreme weather survival design.
- Internal balun in cast aluminum housing is sealed against weather damage.
- Elements can be stacked for additional gain.
- Stainless steel hardware throughout.
- Entire antenna at DC ground potential.

Specifications:

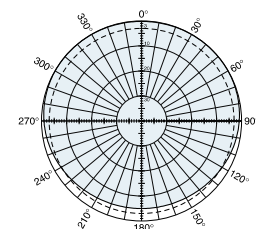
Frequency range	147–174 MHz
Gain	4 dBi
Impedance	50 ohms
VSWR	<1.5:1
Polarization	Vertical
Maximum input power	500 watts(at 50°C)
H-plane beamwidth	246 degrees (half-power)
E-plane beamwidth	70 degrees (half-power)
Connector	N female
Weight	5 lb (2.3 kg)
Dimensions	33.3 x 22 inches (845 x 559 mm)
Equivalent flat plate area	0.61 ft ² (0.057 m ²)
Wind survival rating*	130 mph (210 kph)
Shipping dimensions	49 x 6 x 6 inches (1245 x 152 x 152 mm)
Shipping weight	8 lb (3.6 kg)
Mounting	For masts of 2.375 inches (60 mm) OD.

See reverse for order information.

* Mechanical design is based on environmental conditions as stipulated in EIA-222-F (June 1996) and/or ETS 300 019-1-4 which include the static mechanical load imposed on an antenna by wind at maximum velocity. See the Engineering Section of the catalog for further details.



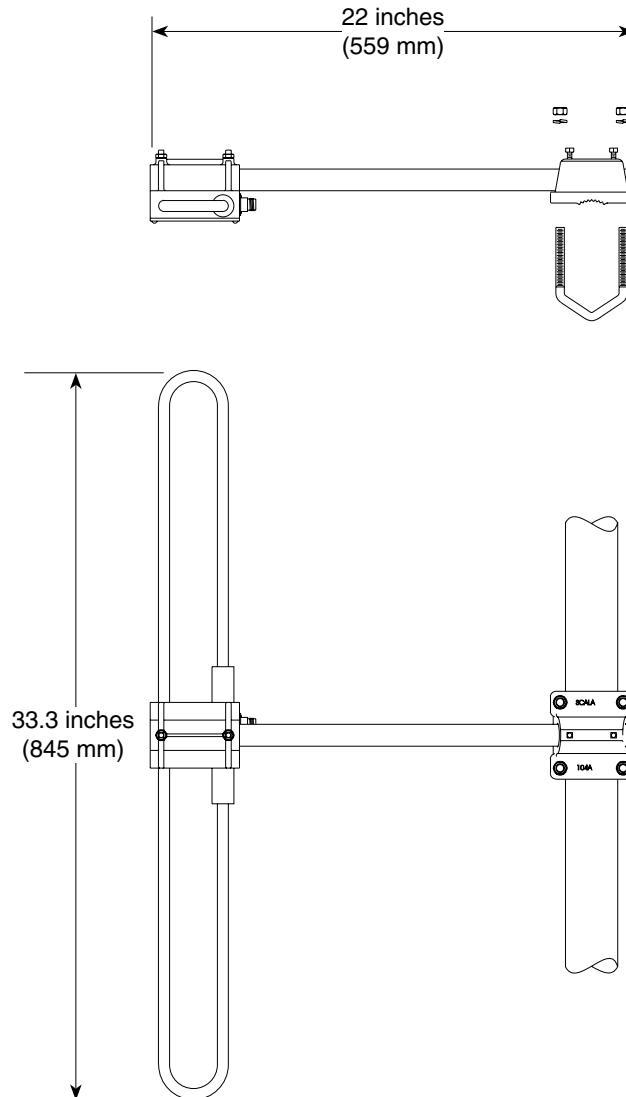
H-plane
Horizontal pattern – V-polarization



E-plane
Vertical pattern – V-polarization



10237-B



Order Information:

Model	Description
CDV-150	147–174 MHz Dipole antenna

All specifications are subject to change without notice. The latest specifications are available at www.kathrein-scala.com.

Kathrein Inc., Scala Division Post Office Box 4580 Medford, OR 97501 (USA) Phone: (541) 779-6500 Fax: (541) 779-3991
Email: communications@kathrein.com Internet: www.kathrein-scala.com