

CA5-FM/CP/RM
FM YAGI ANTENNA
6 dBd gain
88 to 108 MHz
Circularly polarized

The Scala CA5-FM/CP/RM is a ruggedly built yagi antenna, designed for professional FM transmit and receive applications. Like all Scala antennas, the CA5-FM/CP/RM is made of the finest materials resulting in superior performance and long service life.

The CA5-FM/CP/RM may be used stand-alone or in stacked arrays for higher gain, increased side-lobe suppression, or custom azimuth patterns.



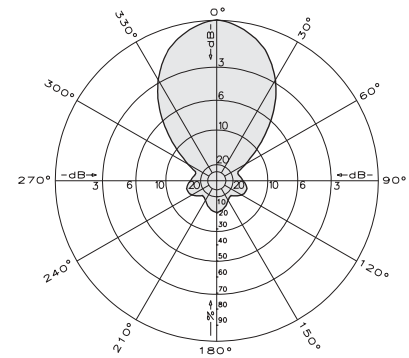
Specifications:

Frequency range	Any specified FM channel 88 to 108 MHz
Gain	6 dBd
Impedance	50 ohms
VSWR	< 1.5:1
Polarization	Circular
Front-to-back ratio	>14 dB
Maximum input power	250 watts
Azimuth pattern	61 degrees (half-power)
Elevation pattern	61 degrees (half-power)
Connector	N female
Weight	35 lb (15.9 kg)
Dimensions	79 x 56 x 50.8 inches maximum (2007 x 1422 x 1290 mm)
Equivalent flat plate area	2.84 ft ² (0.264 m ²) maximum
Wind survival rating*	120 mph (194 kph)
Shipping dimensions	84 x 13 x 8 inches maximum (2134 x 330 x 203 mm)
Shipping weight	38 lb (8.2 kg) maximum
Mounting	For masts of 2.375 inches (60 mm) OD.

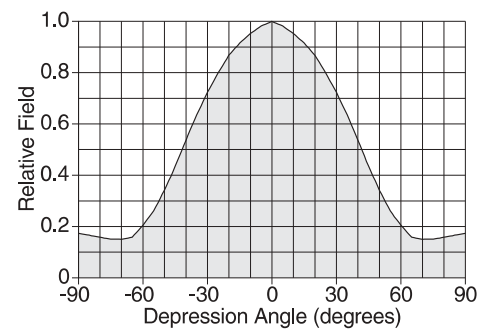
* Mechanical design is based on environmental conditions as stipulated in EIA-222-F (June 1996) and/or ETS 300 019-1-4 which include the static mechanical load imposed on an antenna by wind at maximum velocity. See the Engineering Section of the catalog for further details.

Order Information:

Contact Scala Customer Service for detailed order information.



Azimuth pattern (E-plane)

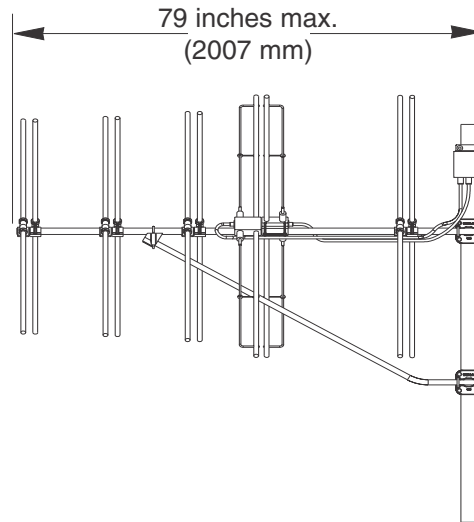
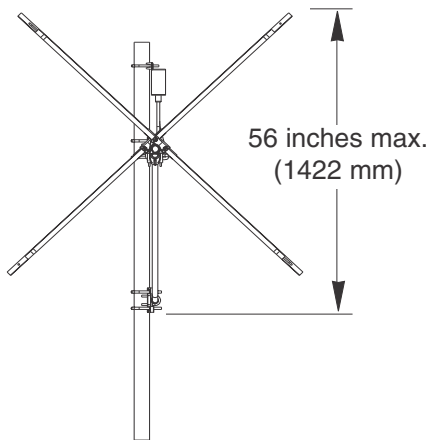
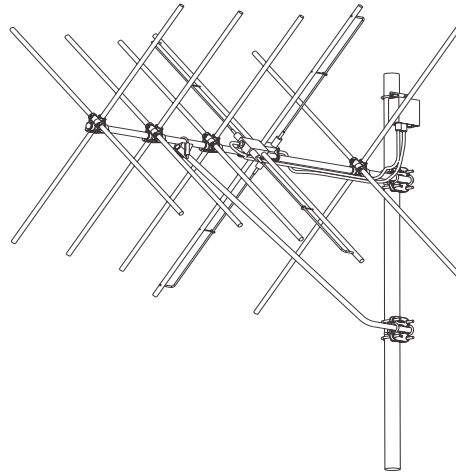
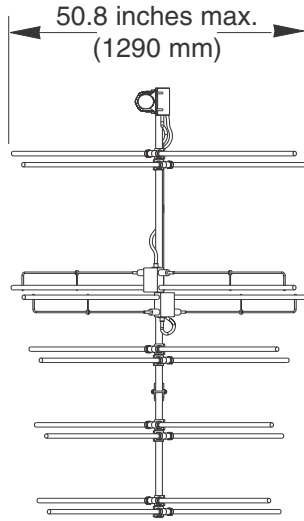


Elevation pattern (H-plane)



10748-B

CA5-FM/CP/RM
FM YAGI ANTENNA
6 dBd gain
88 to 108 MHz
Circularly polarized



Order Information:

Contact Scala Customer Service for detailed order information.

All specifications are subject to change without notice