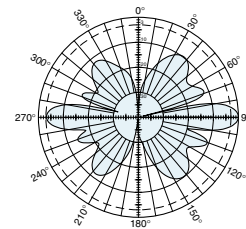


The Kathrein-Scala 840 10250 Paraslot® antenna is specifically designed for spread spectrum systems and other applications in the 902–928 MHz ISM band, featuring high gain and an offset omnidirectional pattern.

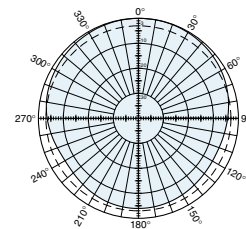
The H-polarized 840 10250 provides isolation from co-channel and adjacent-channel V-polarized signals. The Kathrein-Scala Paraslot design used in these antennas has earned a reputation for high performance and reliability in thousands of low-power UHF-TV broadcast transmission systems during the past 25 years.

Specifications:

Frequency range	902–928 MHz
Gain	10 dBi (maximum)
Impedance	50 ohms
VSWR	< 1.5:1
Polarization	Horizontal
Maximum input power	100 watts (at 50°C)
H-plane beamwidth	12 degrees (half-power)
Connector	N
Weight	13.5 lb (6.1 kg)
Height	83.9 inches (2131 mm)
Radome diameter	2.6 inches (65 mm)
Equivalent flat plate area	1.32 ft ² (0.123 m ²)
Wind survival rating	120 mph (200 kph)
Shipping dimensions	92 x 6 x 6 inches (2337 x 152 x 152 mm)
Shipping weight	25 lb (11.3 kg)
Mounting	Mounting kits are available for attachment to a flat vertical surface or to masts with 2.375 to 3.5 inch (60 to 89 mm) OD.



H-plane
Vertical pattern
H-polarization



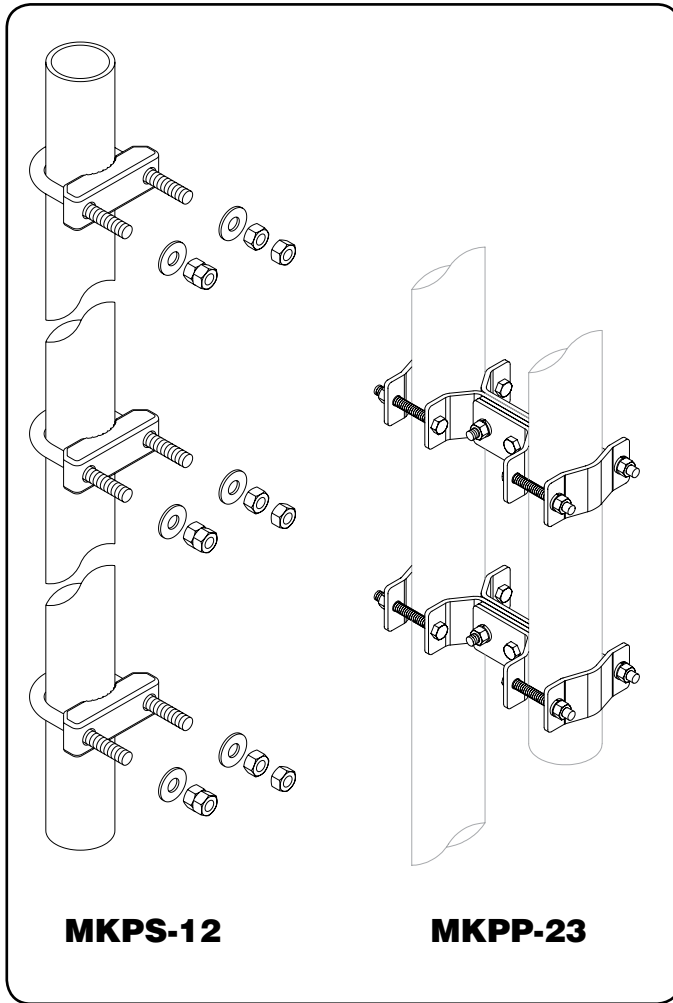
E-plane
Horizontal pattern
H-polarization



PARASLOT is a registered trademark of Kathrein Inc., Scala Division.

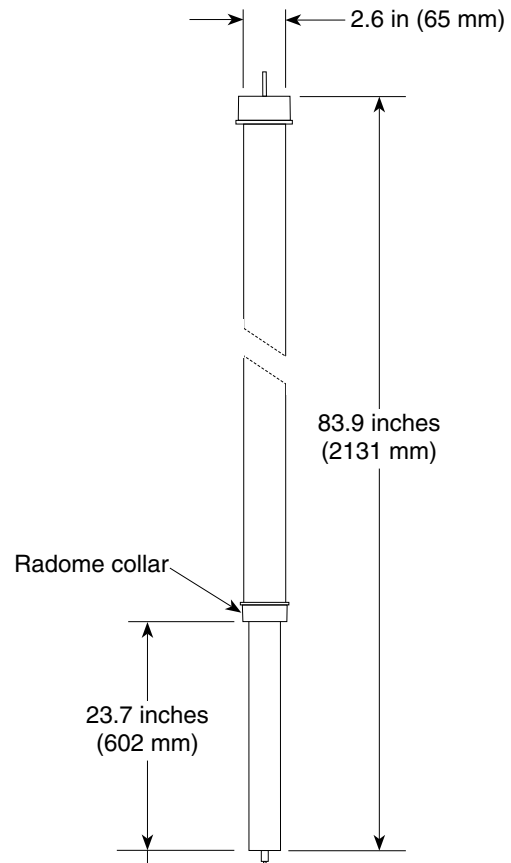


10964-B



MKPS-12

MKPP-23



The top mounting bracket should be located approximately 2 in. (51 mm) below the radome collar. The bottom mounting bracket should be located approximately 4 in. (102 mm) above the bottom of the antenna.

Mounting Options:

Model	Description
MKPS-12 (shown)	Mounting Kit for mounting to a flat plate
MKPP-23 (shown)	Mounting Kit for 2.375 to 3.5 inch (60 to 89 mm) OD mast.

Order Information:

Model	Description
840 10250	Antenna with N connector for spread spectrum systems.

All specifications are subject to change without notice. The latest specifications are available at www.kathrein-scala.com.