

Kathrein wideband X-polarized antennas are designed for use in PCS, WCS, Wi-Fi, and WiMAX polarization diversity systems.

- X-polarized (+45° and -45°).
- UV resistant pulltruded radomes.
- Wideband vector dipole technology.
- DC Grounded metallic parts for impulse suppression.

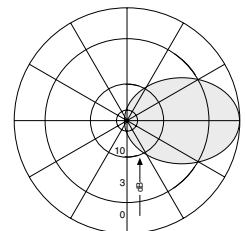
General specifications:

Frequency range	1850–2690 MHz
VSWR	<1.5:1
Impedance	50 ohms
Intermodulation (2x20w)	IM3: < -150 dBc
Polarization	+45° and -45°
Connector	2 x 7/16 DIN female
Electrical downtilt	2 degrees
Isolation	>30 dB
Maximum input power	250 watts (at 50°C) per input
Weight	14.6 lb (6.6 kg)
Dimensions	51.3 x 6.1 x 2.7 inches (1302 x 155 x 69 mm)
Equivalent flat plate area	2.98 ft ² (0.277 m ²)
Wind survival rating*	120 mph (200 kph)
Shipping dimensions	62 x 6.8 x 3.7 inches (1574 x 172 x 95 mm)
Shipping weight	17.2 lb (7.8 kg)
Mounting	Fixed and tilt mount options are available for 2 to 5.7 inch (50 to 145 mm) OD masts.

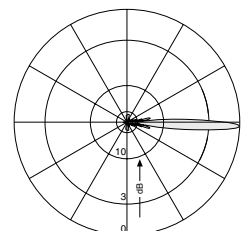
See reverse for order information.

Specifications:	1850–1990 MHz	1990–2490 MHz	2490–2690 MHz
Gain	17.6 dBi	17.8 dBi	18 dBi
+45° and -45° polarization horizontal beamwidth	68° (half-power)	65° (half-power)	63° (half-power)
+45° and -45° polarization vertical beamwidth	6.4° (half-power)	5.7° (half-power)	5.1° (half-power)
Front-to-back ratio	>25 dB (co-polar)	>25 dB (co-polar)	>25 dB (co-polar)
Sidelobe suppression for first sidelobe above main beam	>15 dB	>15 dB	>15 dB
Cross polar ratio			
Main direction	0°	20 dB (typical)	20 dB (typical)
Sector	±60°	>10 dB	>10 dB

* Mechanical design is based on environmental conditions as stipulated in EIA-222-F (June 1996) and/or ETS 300 019-1-4 which include the static mechanical load imposed on an antenna by wind at maximum velocity. See the Engineering Section of the catalog for further details.



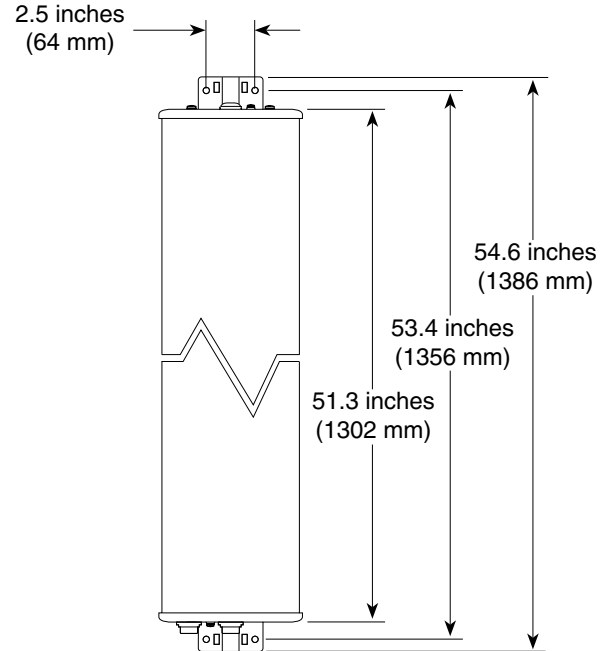
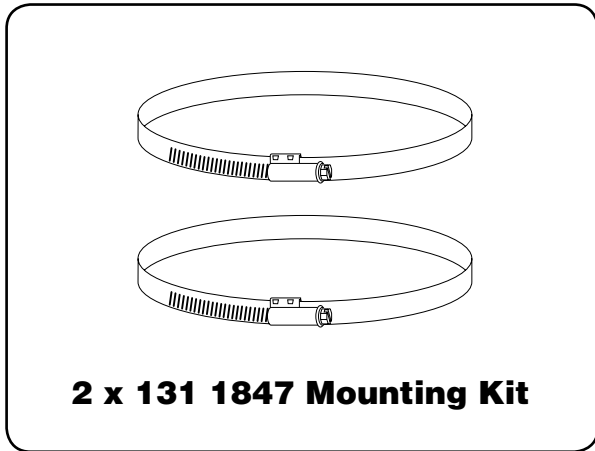
Horizontal pattern
±45°- polarization



Vertical pattern
±45°- polarization
6° electrical downtilt

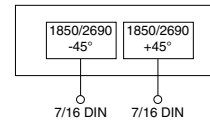
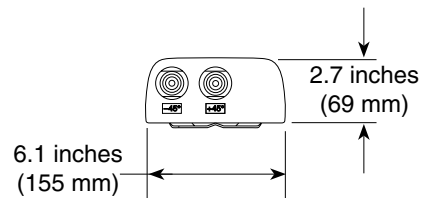


11005-FRO
936.A2349/a



Mounting Options:

Model	Description
2 x 131 1847	Mounting Kit for 2 to 5.7 inch (50 to 145 mm) OD mast.
742 263	Three-panel Sector Mounting Kit (120 deg. ea.) for 3.5 inch (89 mm) OD mast.
732 327	Tilt Kit for use with the above mounting kits, 0–10 degrees downtilt angle.



Order Information:

Model	Description
800 10438	Antenna with 2 x 7/16 DIN connectors

All specifications are subject to change without notice. The latest specifications are available at www.kathrein-scala.com.