

Kathrein's X-polarized antennas are designed for use in digital polarization diversity systems. Analog transmissions may be accomplished using power dividers to apply equal levels of analog transmissions to each port.

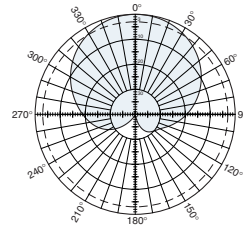
- X-polarized (+45° and -45°).
- UV resistant fiberglass radomes.
- Wideband vector dipole technology.
- DC Grounded metallic parts for impulse suppression.

**General specifications:**

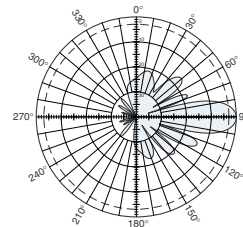
Frequency range	806–960 MHz
Front-to-back ratio	>30 dB (co-polar)
Impedance	50 ohms
Intermodulation (2x20w)	IM3: <-150 dBc
Polarization	+45° and -45°
Maximum input power	500 watts per input (at 50°C)
Connector	2 x 7/16 DIN female
Isolation	>30 dB
Weight	16.5 lb (7.5 kg)
Dimensions	50.9 x 10.2 x 3.9 inches (1294 x 259 x 99 mm)
Equivalent flat plate area	4.71 ft <sup>2</sup> (0.438 m <sup>2</sup> )
Wind survival rating*	120 mph (200 kph)
Shipping dimensions	56.5 x 11.5 x 5.4 inches (1436 x 292 x 138 mm)
Shipping weight	28.7 lb (13 kg)
Mounting	Fixed and tilt mount options are available for 2 to 4.6 inch (50 to 115 mm) OD masts.

See reverse for order information.

\* Mechanical design is based on environmental conditions as stipulated in EIA-222-F (June 1996) and/or ETS 300 019-1-4 which include the static mechanical load imposed on an antenna by wind at maximum velocity. See the Engineering Section of the catalog for further details.



Horizontal pattern  
±45°- polarization



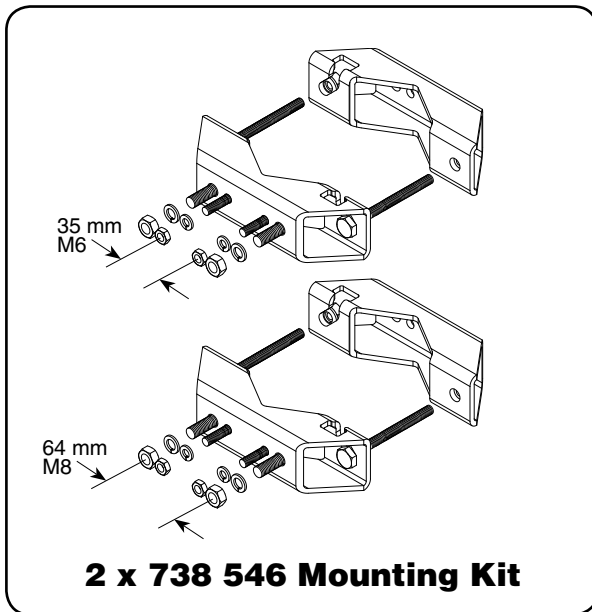
Vertical pattern  
±45°- polarization



Specifications:	806–866 MHz	824–894 MHz	880–960 MHz
Gain	14.7 dBi	15 dBi	15.3 dBi
VSWR	<1.5:1	<1.4:1	<1.3:1
+45° and -45° polarization horizontal beamwidth	67° (half-power)	66° (half-power)	64° (half-power)
+45° and -45° polarization vertical beamwidth	15.5° (half-power)	14.8° (half-power)	14° (half-power)
Sidelobe suppression for first sidelobe above horizon	>15 dB	>15 dB	>14 dB
sector 0°–30° above horizon	>15 dB	>15 dB	>14 dB
Cross polar ratio			
Main direction 0°	>20 dB	>20 dB	>20 dB
Sector ±30°	>19 dB	>19 dB	>20 dB
Sector ±60°	>11 dB	>11 dB	>11 dB

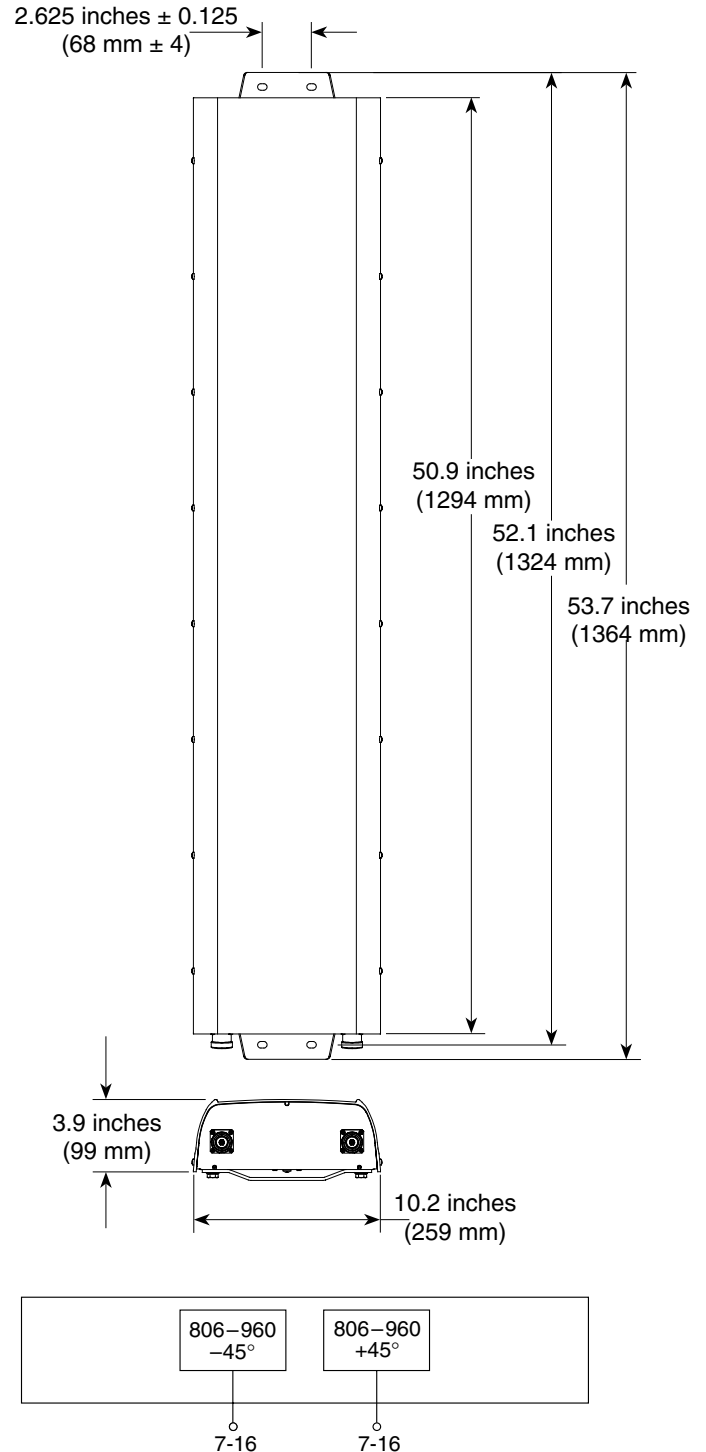


10829-B  
936.2793



**Mounting Options:**

Model	Description
2 x 738 546	Mounting Kit for 2 to 4.6 inch (50 to 115 mm) OD mast.
742 033	Three-panel Sector Mounting Kit (120 deg. ea.) for 4.5 inch (114.3 mm) OD mast.
742 034	Three-panel Sector Mounting Kit (120 deg. ea.) for 5.5 inch (139.7 mm) OD mast.
737 978	Tilt Mount Kit 0–16 degrees downtilt angle.



**Order Information:**

Model	Description
800 10202	Antenna with 7/16 DIN connectors

All specifications are subject to change without notice. The latest specifications are available at [www.kathrein-scala.com](http://www.kathrein-scala.com).

Kathrein Inc., Scala Division Post Office Box 4580 Medford, OR 97501 (USA) Phone: (541) 779-6500 Fax: (541) 779-3991  
Email: [communications@kathrein.com](mailto:communications@kathrein.com) Internet: [www.kathrein-scala.com](http://www.kathrein-scala.com)