



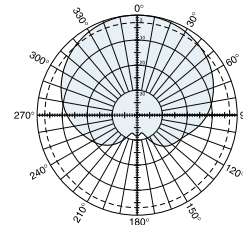
Kathrein wideband X-polarized antennas are designed for use in PCS and 3G/UMTS polarization diversity systems.

- X-polarized (+45° and -45°).
- UV resistant pulltruded radomes.
- Wideband vector dipole technology.
- DC Grounded metallic parts for impulse suppression.

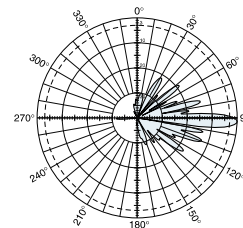
General specifications:

Frequency range	1710–2200 MHz
VSWR	<1.4:1
Impedance	50 ohms
Intermodulation (2x20w)	IM3:< -150 dBc
Polarization	+45° and -45°
Front-to-back ratio (180° ± 30°)	>25 dB (co-polar) >25 dB (total power)
Connector	2 x 7-16 DIN female
Maximum input power	300 watts (at 50°C) per input
Electrical downtilt	2°
Isolation	>30 dB
Weight	14.3 lb (6.5 kg)
Dimensions	51.3 x 6.1 x 2.7 inches (1302 x 155 x 69 mm)
Equivalent flat plate area	2.98 ft ² (0.277 m ²)
Wind survival rating*	120 mph (200 kph)
Shipping dimensions	55.3 x 6.8 x 3.6 inches (1404 x 172 x 92 mm)
Shipping weight	18.7 lb (8.5 kg)
Mounting	Fixed mount options are available for 1.2 to 5.3 inch (30 to 135 mm) OD masts.

See reverse for order information.



Horizontal pattern
±45°- polarization



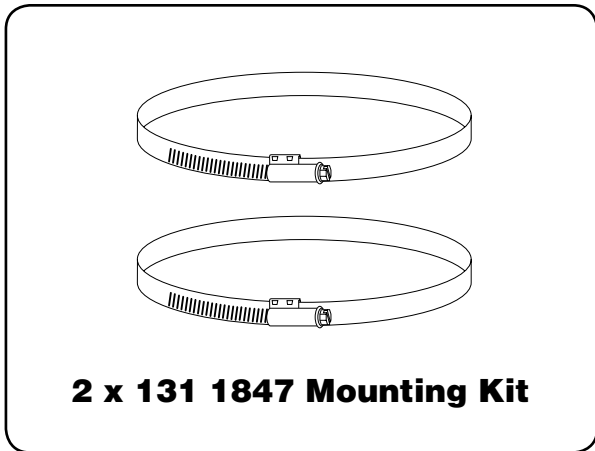
Vertical pattern
±45°- polarization
2° electrical downtilt

Specifications:	1710–1880 MHz	1850–1990 MHz	1920–2200 MHz
Gain	16.5 dBi	16.8 dBi	17 dBi
±45° polarization horizontal beamwidth	88° (half-power)	88° (half-power)	88° (half-power)
±45° polarization vertical beamwidth	6.9° (half-power)	6.5° (half-power)	6.2° (half-power)
Sidelobe suppression for first sidelobe above horizon	>16 dB	>16 dB	>16 dB
Cross polar ratio			
Main direction 0°	20 dB (typical)	20 dB (typical)	20 dB (typical)
Sector ±60°	>10 dB	>10 dB	>10 dB

* Mechanical design is based on environmental conditions as stipulated in EIA-222-F (June 1996) and/or ETS 300 019-1-4 which include the static mechanical load imposed on an antenna by wind at maximum velocity. See the Engineering Section of the catalog for further details.

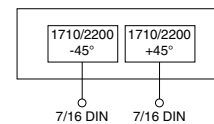
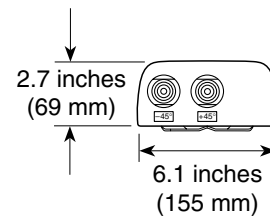
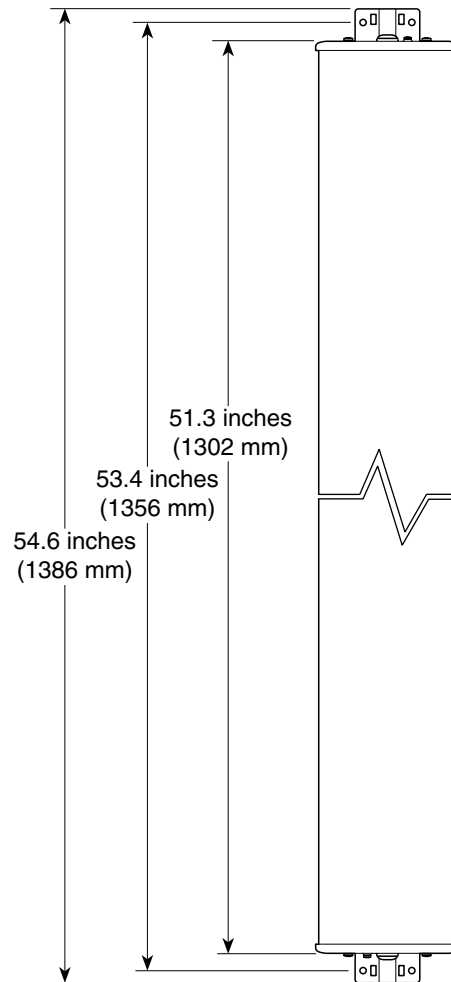


10705-D
936.2157/d



Mounting Options:

Model	Description
2 x 131 1847	Mounting Kit for 2 to 5.7 inch (50 to 145 mm) OD mast.
732 327	Tilt Kit for use with the above mounting kits, 0–10 degrees downtilt angle.
742 263	Three-panel Sector Mounting Kit (120 deg. ea.) for 3.5 inch (89 mm) OD mast.



Order Information:

Model	Description
741 987	Antenna with 2 x 7-16 DIN connectors 2° electrical downtilt

All specifications are subject to change without notice. The latest specifications are available at www.kathrein-scala.com.

Kathrein Inc., Scala Division Post Office Box 4580 Medford, OR 97501 (USA) Phone: (541) 779-6500 Fax: (541) 779-3991
Email: communications@kathrein.com Internet: www.kathrein-scala.com