

Kathrein's X-polarized antennas are designed for use in digital polarization diversity systems. Analog transmissions may be accomplished using power dividers to apply equal levels of analog transmissions to each port.

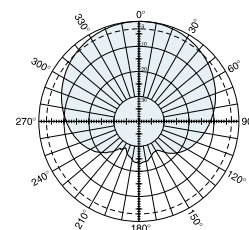
- X-polarized (+45° and -45°).
- UV resistant pulltruded radomes.
- Wideband vector dipole technology.
- DC Grounded metallic parts for impulse suppression.

**Specifications:**

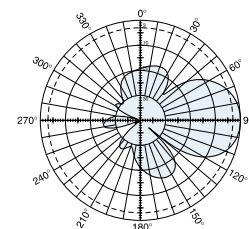
Frequency range	806–960 MHz
Gain	2 x 10 dBi (806–880 MHz) 2 x 10.3 dBi (880–960 MHz)
Impedance	50 ohms
VSWR	< 1.5:1
Intermodulation (2x20w)	IM3: <-150dBc
Front-to-back ratio	>20 dB (co-polar)
Maximum input power	500 watts (at 50°C) per input
Polarization	+45° and -45°
+45° and -45° polarization horizontal beamwidth	85° (half-power) (806–880 MHz) 88° (half-power) (880–960 MHz)
+45° and -45° polarization vertical beamwidth	38° (half-power) (806–880 MHz) 36° (half-power) (880–960 MHz)
Connector	2 x 7/16 DIN female
Isolation	>30 dB
Sidelobe suppression for first sidelobe above horizon	≥16 dB
Weight	13.2 lb (6 kg)
Dimensions	25.8 x 10.3 x 4.6 inches (656 x 262 x 116 mm)
Equivalent flat plate area	2.3 ft <sup>2</sup> (0.214 m <sup>2</sup> )
Wind survival rating	120 mph (200 kph)
Shipping dimensions	30.8 x 11.3 x 6.5 inches (782 x 302 x 172 mm)
Shipping weight	16.5 lb (7.5 kg)
Mounting	Fixed mount options are available for 2 to 4.6 inch (50 to 115 mm) OD masts.

See reverse for order information.

\* Mechanical design is based on environmental conditions as stipulated in EIA-222-F (June 1996) and/or ETS 300 019-1-4 which include the static mechanical load imposed on an antenna by wind at maximum velocity. See the Engineering Section of the catalog for further details.



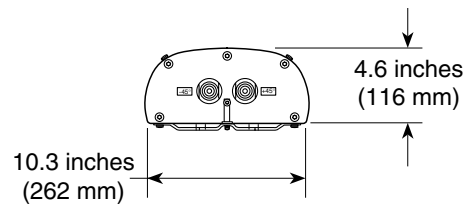
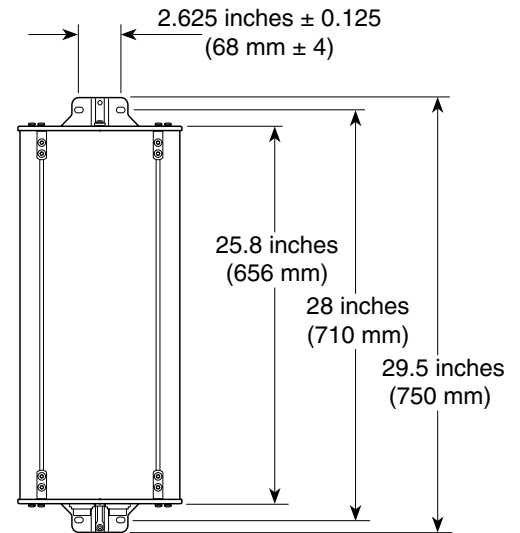
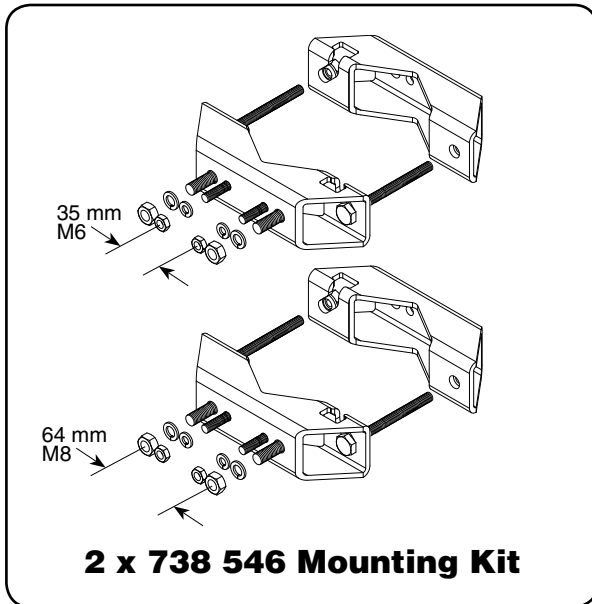
Horizontal pattern  
±45°- polarization



Vertical pattern  
±45°- polarization



10530-D  
936.2317



**Mounting Options:**

Model	Description
2 x 738 546	Mounting Kit for 2 to 4.6 inch (50 to 115 mm) OD mast.
742 033	Three-panel Sector Mounting Kit (120 deg. ea.) for 4.5 inch (114.3 mm) OD mast.
742 034	Three-panel Sector Mounting Kit (120 deg. ea.) for 5.5 inch (139.7 mm) OD mast.
737 978	Tilt Mount Kit 0–30 degrees downtilt angle.

**Order Information:**

Model	Description
739 646	Antenna with 7/16 DIN connectors 0° electrical downtilt

All specifications are subject to change without notice. The latest specifications are available at [www.kathrein-scala.com](http://www.kathrein-scala.com).

Kathrein Inc., Scala Division Post Office Box 4580 Medford, OR 97501 (USA) Phone: (541) 779-6500 Fax: (541) 779-3991  
Email: [communications@kathrein.com](mailto:communications@kathrein.com) Internet: [www.kathrein-scala.com](http://www.kathrein-scala.com)