

Kathrein's X-polarized antennas are designed for use in digital polarization diversity systems. Analog transmissions may be accomplished using power dividers to apply equal levels of analog transmissions to each port.

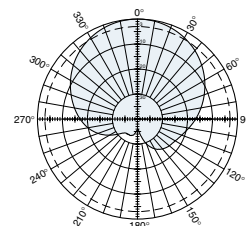
- X-polarized (+45° and -45°).
- UV resistant pulltruded radomes.
- Wideband vector dipole technology.
- DC Grounded metallic parts for impulse suppression.

**Specifications:**

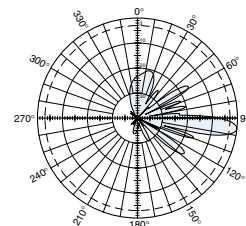
Frequency range	806–960 MHz
Gain	2 x 17.5 dBi (806–880 MHz) 2 x 18 dBi (880–960 MHz)
Impedance	50 ohms
VSWR	< 1.5:1 (806–880 MHz) < 1.3:1 (880–960 MHz)
Intermodulation (2x20w)	IM3:< -150dBc
Front-to-back ratio	>30 dB (co-polar)
Maximum input power	500 watts (at 50°C) per input
Polarization	+45° and -45°
±45° polarization horizontal beamwidth	68 degrees (half-power) (806–880 MHz) 65 degrees (half-power) (880–960 MHz)
±45° polarization vertical beamwidth	7.5 degrees (half-power) (806–880 MHz) 7 degrees (half-power) (880–960 MHz)
Sidelobe suppression for first sidelobe above horizon	≥18 dB
Electrical downtilt	6 degrees
Connector	2 x 7/16 DIN female
Isolation	>32 dB
Weight	41.9 lb (19 kg)
Dimensions	101.6 x 10.3 x 4.6 inches (2580 x 262 x 116 mm)
Equivalent flat plate area	10 ft <sup>2</sup> (0.929 m <sup>2</sup> )
Wind survival rating	120 mph (200 kph)
Shipping dimensions	106 x 11.3 x 6.5 inches (2692 x 287 x 165 mm)
Shipping weight	49.4 lb (22.4 kg)
Mounting	Fixed mount options are available for 2 to 4.6 inch (50 to 115 mm) OD masts.

*See reverse for order information.*

\* Mechanical design is based on environmental conditions as stipulated in EIA-222-F (June 1996) and/or ETS 300 019-1-4 which include the static mechanical load imposed on an antenna by wind at maximum velocity. See the Engineering Section of the catalog for further details.



Horizontal pattern  
±45°- polarization

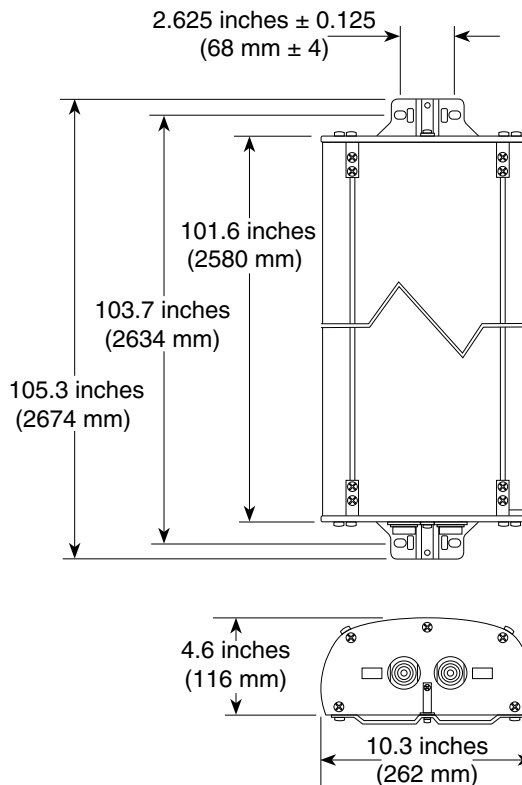
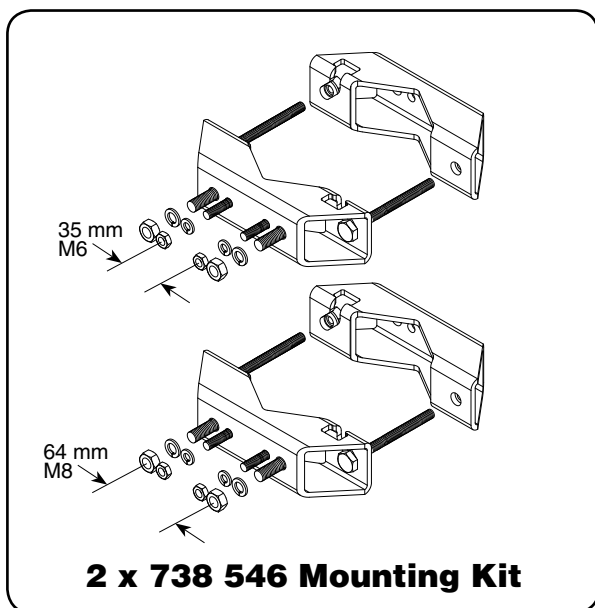


Vertical pattern  
±45°- polarization  
6° electrical downtilt



10962-A  
936.1372/g





**Mounting Options:**

Model	Description
2 x 738 546	Mounting Kit for 2 to 4.6 inch (50 to 115 mm) OD mast.
737 978	Tilt Mount Kit 0–7.5 degrees downtilt angle.

**Order Information:**

Model	Description
739 636	Antenna with 7/16 DIN connectors 6° electrical downtilt

All specifications are subject to change without notice. The latest specifications are available at [www.kathrein-scala.com](http://www.kathrein-scala.com).