

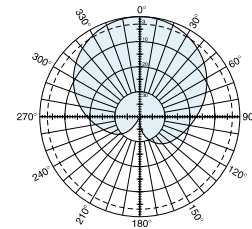
Kathrein's X-polarized antennas are designed for use in digital polarization diversity systems. Analog transmissions may be accomplished using power dividers to apply equal levels of analog transmissions to each port.

- X-polarized (+45° and -45°).
- UV resistant pulltruded radomes.
- Wideband vector dipole technology.
- DC Grounded metallic parts for impulse suppression.

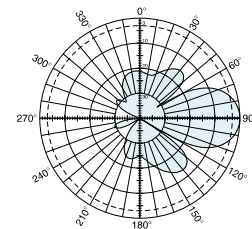
Specifications:

Frequency range	806–960 MHz
Gain	2 x 12 dBi (806–880 MHz) 2 x 12.5 dBi (880–960 MHz)
Impedance	50 ohms
VSWR	< 1.5:1
Intermodulation (2x20w)	IM3:< -150dBc
Front-to-back ratio	>30 dB (co-polar)
Maximum input power	2 x 500 watts (at 50°C)
Polarization	+45° and -45°
±45° polarization horizontal beamwidth	68 degrees (half-power) (806–880 MHz) 65 degrees (half-power) (880–960 MHz)
±45° polarization vertical beamwidth	29 degrees (half-power) (806–880 MHz) 27 degrees (half-power) (880–960 MHz)
Connector	2 x 7/16 DIN female
Isolation	>30 dB
Weight	13.2 lb (6 kg)
Dimensions	25.8 x 10.3 x 4.6 inches (656 x 262 x 116 mm)
Equivalent flat plate area	2.3 ft ² (0.214 m ²)
Wind survival rating	120 mph (200 kph)
Shipping dimensions	30.8 x 11.3 x 6.5 inches (782 x 287 x 165 mm)
Shipping weight	16.5 lb (7.5 kg)
Mounting	Fixed mount options are available for 2 to 4.6 inch (50 to 115 mm) OD masts.

See reverse for order information.



Horizontal pattern
±45° - polarization

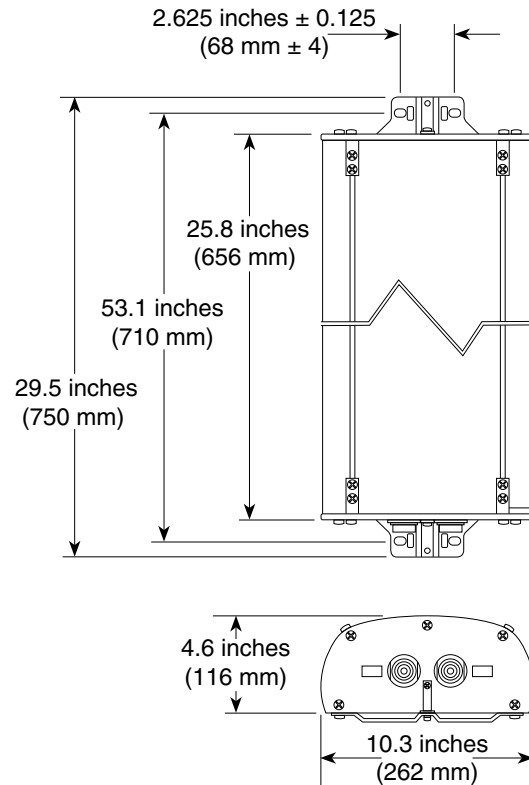
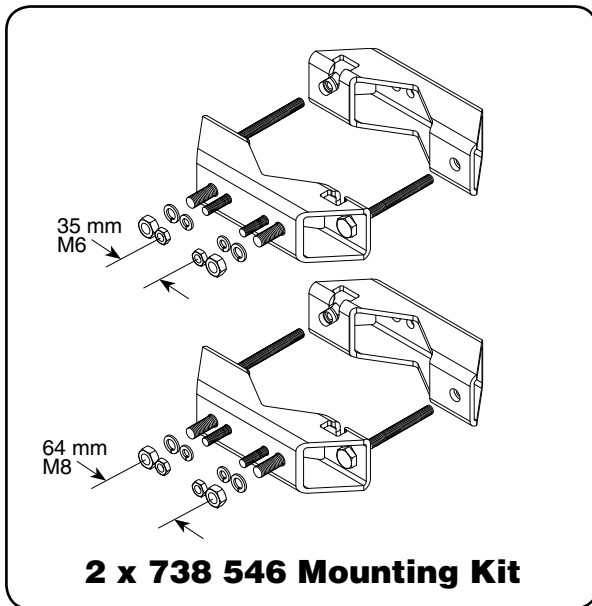


Vertical pattern
±45° - polarization

* Mechanical design is based on environmental conditions as stipulated in EIA-222-F (June 1996) and/or ETS 300 019-1-4 which include the static mechanical load imposed on an antenna by wind at maximum velocity. See the Engineering Section of the catalog for further details.



10532-D
936.1557/c



Mounting Options:

Model	Description
2 x 738 546	Mounting Kit for 2 to 4.6 inch (50 to 115 mm) OD mast.
737 978	Tilt Mount Kit 0–30 degrees downtilt angle.

Order Information:

Model	Description
739 620	Antenna with 7/16 DIN connectors 0° electrical downtilt

All specifications are subject to change without notice. The latest specifications are available at www.kathrein-scala.com.

Kathrein Inc., Scala Division Post Office Box 4580 Medford, OR 97501 (USA) Phone: (541) 779-6500 Fax: (541) 779-3991
Email: communications@kathrein.com Internet: www.kathrein-scala.com