

Kathrein vertically polarized panels are part of a series of antenna products for PCS and other applications in the 1710-1990 MHz band, featuring:

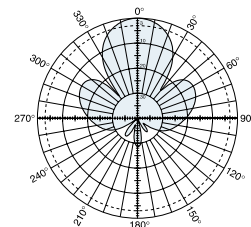
- Patented manufacturing techniques with materials selected for long life and reliability in space diversity systems.
- Superior electrical performance, with low VSWR, wide bandwidth, flat frequency response, and extremely low intermodulation products.
- An extremely low profile design provides minimal visual impact.
- High strength pultruded fiberglass radomes.
- Downtilt options.



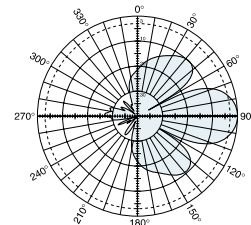
Specifications:

Frequency range	1710–1990 MHz
Gain	14.5 dBi (1710–1880 MHz) 15 dBi (1880–1990 MHz)
Impedance	50 ohms
VSWR	< 1.5:1
Intermodulation (2x20w)	IM3: -150 dBc
Polarization	Vertical
Front-to-back ratio	>25 dB
Maximum input power	200 watts (at 50°C)
H-plane beamwidth	33 degrees (half power)
E-plane beamwidth	27 degrees (half power)
Connector	7/16 DIN female
Weight	5.5 lb (2.5 kg)
Dimensions	13.5 x 10.3 x 2.4 inches (342 x 262 x 59 mm)
Equivalent flat plate area	1.15 ft ² (0.107 m ²)
Wind survival rating*	120 mph (200 kph)
Shipping dimensions	18 x 11.1 x 3.9 inches (457 x 282 x 99 mm)
Shipping weight	12 lb (5.5 kg)
Mounting	Fixed and tilt-mount options are available for 2 to 4.6 inch (50 to 115 mm) OD masts. Panel can be inverted.

See reverse for order information.



H-plane
Horizontal pattern
V-polarization



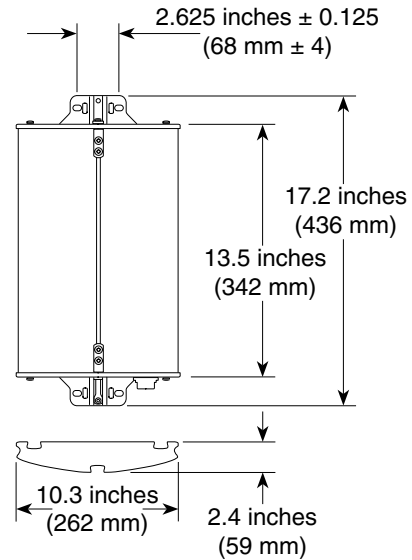
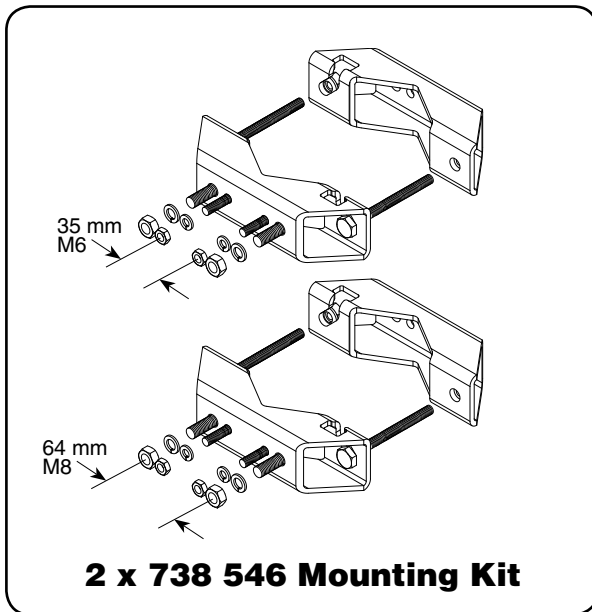
E-plane
Vertical pattern
V-polarization

* Mechanical design is based on environmental conditions as stipulated in EIA-222-F (June 1996) and/or ETS 300 019-1-4 which include the static mechanical load imposed on an antenna by wind at maximum velocity. See the Engineering Section of the catalog for further details.



10300-E
936.1291/g





Mounting Options:

Model	Description
2 x 738 546	Mounting Kit for 2 to 4.6 inch (50 to 115 mm) OD mast.
737 978	Tilt Mount Kit 0–54 degrees downtilt angle.

Order Information:

Model	Description
739 129	Antenna with 7/16 DIN connector 0° electrical downtilt

All specifications are subject to change without notice. The latest specifications are available at www.kathrein-scala.com.

Kathrein Inc., Scala Division Post Office Box 4580 Medford, OR 97501 (USA) Phone: (541) 779-6500 Fax: (541) 779-3991
Email: communications@kathrein.com Internet: www.kathrein-scala.com