

4DR series
PARAPANEL® UHF-TV
ANTENNAS AND ARRAYS
470 to 862 MHz

The Kathrein Scala Division Parapanel antennas offer high performance and low VSWR. Multi-panel arrays can be utilized to provide standard patterns shown below and custom patterns for specific coverage requirements. Arrays include power dividers and coax feeders, plus installation hardware.

The antenna is fabricated from corrosion resistant aluminum and stainless steel. All metal components are DC grounded. The rugged fiberglass radome assures reliable performance in heavy icing conditions.

Thousands of Kathrein Scala Division Parapanel antennas are in operation worldwide in translator and low-power UHF-TV television systems.

General Specifications:

Frequency	470 to 862 MHz	
Bandwidth	Any single 6, 7, or 8 MHz UHF-TV channel	
Impedance	50 ohms	
VSWR	< 1.1:1	
Polarization	Horizontal	
Maximum input power	500 watts (at 50° C)	
Connector	N female	
Wind survival rating*	100 mph (160 kph)	
Mounting	The following installation kits are included for mounting on 2.375 inch (60 mm) OD masts:	
	Antenna frequency range	Clamp kit
	470–560 MHz	MKPS-18
	560–862 MHz	MKPS-17

* Mechanical design is based on environmental conditions as stipulated in EIA-222-F (June 1996) and/or ETS 300 019-1-4 which include the static mechanical load imposed on an antenna by wind at maximum velocity. See the Engineering Section of the catalog for further details.



4DR-4S



4DR-4-2HW

PARAPANEL is a registered trademark of Kathrein Inc., Scala Division.



10264-D

4DR series
PARAPANEL® UHF-TV
ANTENNAS AND ARRAYS
470 to 862 MHz

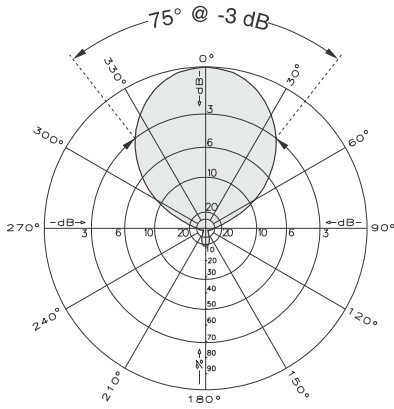
Specifications:

Model	Frequency MHz	Gain dBd	Weight lb (kg)	Dimensions	Equivalent Flat Plate Area	Number of Panels	Number of Bays
4DR-4S	470 to 560	9.5	22 (10)	48 x 18 x 9 inches (1220 x 458 x 229 mm)	7.1 ft ² (0.66 m ²)	1	1
	560 to 656	9.5	15 (6.8)	36 x 14.3 x 8 inches (915 x 364 x 204 mm)	4.3 ft ² (0.4 m ²)	1	1
	656 to 862	9.5	9 (4)	29 x 10.5 x 7 inches (737 x 267 x 178 mm)	2.5 ft ² (0.23 m ²)	1	1
4DR-8S	470 to 560	12.0	44 (20)	97 x 18 x 9 inches (2464 x 458 x 229 mm)	14.2 ft ² (1.32 m ²)	2	2
	560 to 656	12.0	30 (13.6)	73 x 14.3 x 8 inches (1855 x 364 x 204 mm)	8.6 ft ² (0.8 m ²)	2	2
	656 to 862	12.0	18 (8.2)	59 x 10.5 x 7 inches (1499 x 267 x 178 mm)	5 ft ² (0.46 m ²)	2	2
4DR-16S	470 to 560	14.5	88 (40)	195 x 18 x 9 inches (4953 x 458 x 229 mm)	28.5 ft ² (2.64 m ²)	4	4
	560 to 656	14.5	60 (27.2)	147 x 14.3 x 8 inches (3734 x 364 x 204 mm)	17.2 ft ² (1.6 m ²)	4	4
	656 to 862	14.5	36 (16.3)	119 x 10.5 x 7 inches (3023 x 267 x 178 mm)	10 ft ² (0.93 m ²)	4	4
4DR-4-2HN	470 to 560	12.0	44 (20)	48 x 41 x 9 inches (1220 x 1042 x 229 mm)	16.1 ft ² (1.5 m ²)	2	1
	560 to 656	12.0	30 (13.6)	36 x 33.6 x 8 inches (915 x 854 x 204 mm)	9.9 ft ² (0.92 m ²)	2	1
	656 to 862	12.0	18 (8.2)	29 x 26 x 7 inches (737 x 661 x 178 mm)	6.2 ft ² (0.58 m ²)	2	1
4DR-8-2HN	470 to 560	14.5	88 (40)	97 x 41 x 9 inches (2464 x 1042 x mm)	32.8 ft ² (3.05 m ²)	4	2
	560 to 656	14.5	60 (27.2)	73 x 33.6 x 8 inches (1855 x 854 x 204 mm)	20.2 ft ² (1.88 m ²)	4	2
	656 to 862	14.5	36 (16.3)	59 x 26 x 7 inches (1499 x 661 x 178 mm)	12.6 ft ² (1.17 m ²)	4	2
4DR-16-2HN	470 to 560	17.0	176 (79.9)	195 x 41 x 9 inches (4953 x 1042 x 229 mm)	66.6 ft ² (6.19 m ²)	8	4
	560 to 656	17.0	120 (54.5)	147 x 33.6 x 8 inches (3734 x 854 x 204 mm)	41.2 ft ² (3.82 m ²)	8	4
	656 to 862	17.0	72 (32.7)	119 x 26 x 7 inches (3023 x 661 x 178 mm)	25.8 ft ² (2.4 m ²)	8	4
4DR-4-2HW	470 to 560	6.0	44 (20)	48 x 27 x 27 inches (1220 x 686 x 686 mm)	10.6 ft ² (0.98 m ²)	2	1
	560 to 656	6.0	30 (13.6)	36 x 22.3 x 22.3 inches (915 x 567 x 567 mm)	6.6 ft ² (0.61 m ²)	2	1
	656 to 862	6.0	18 (8.2)	29 x 17.5 x 17.5 inches (737 x 445 x 445 mm)	4.2 ft ² (0.39 m ²)	2	1
4DR-8-2HW	470 to 560	8.5	88 (40)	97 x 27 x 27 inches (2464 x 686 x 686 mm)	21.8 ft ² (2.03 m ²)	4	2
	560 to 656	8.5	60 (27.2)	73 x 22.3 x 22.3 inches (1855 x 567 x 567 mm)	13.5 ft ² (1.25 m ²)	4	2
	656 to 862	8.5	36 (16.3)	59 x 17.5 x 17.5 inches (1499 x 445 x 445 mm)	8.5 ft ² (0.79 m ²)	4	2
4DR-16-2HW	470 to 560	11.0	176 (79.9)	195 x 27 x 27 inches (4953 x 686 x 686 mm)	45.3 ft ² (4.21 m ²)	8	4
	560 to 656	11.0	120 (54.5)	147 x 22.3 x 22.3 inches (3734 x 567 x 567 mm)	27.8 ft ² (2.58 m ²)	8	4
	656 to 862	11.0	72 (32.7)	119 x 17.5 x 17.5 inches (3023 x 445 x 445 mm)	17.9 ft ² (1.66 m ²)	8	4
4DR-4-3HC	470 to 560	5.6	66 (30)	48 x 36 x 27 inches (1220 x 915 x 686 mm)	14.2 ft ² (1.32 m ²)	3	1
	560 to 656	5.6	45 (20.5)	36 x 30.3 x 22.3 inches (915 x 770 x 567 mm)	8.9 ft ² (0.83 m ²)	3	1
	656 to 862	5.6	27 (12.3)	29 x 28 x 17.5 inches (737 x 712 x 445 mm)	6.7 ft ² (0.62 m ²)	3	1
4DR-8-3HC	470 to 560	8.0	132 (59.9)	97 x 36 x 27 inches (2464 x 915 x 686 mm)	28.4 ft ² (2.64 m ²)	6	2
	560 to 656	8.0	90 (40.9)	73 x 30.3 x 22.3 inches (1855 x 770 x 567 mm)	18.2 ft ² (1.69 m ²)	6	2
	656 to 862	8.0	54 (24.5)	59 x 28 x 17.5 inches (1499 x 712 x 445 mm)	18.2 ft ² (1.69 m ²)	6	2
4DR-16-3HC	470 to 560	10.5	264 (119.8)	195 x 36 x 27 inches (4953 x 915 x 686 mm)	58.5 ft ² (5.43 m ²)	12	4
	560 to 656	10.5	180 (81.7)	147 x 30.3 x 22.3 inches (3734 x 770 x 567 mm)	37.1 ft ² (3.45 m ²)	12	4
	656 to 862	10.5	108 (50)	119 x 28 x 17.5 inches (3023 x 712 x 445 mm)	27.7 ft ² (2.57 m ²)	12	4
4DR-4-4HO	470 to 560	4.3	88 (40)	48 x 36 x 36 inches (1220 x 915 x 915 mm)	14.2 ft ² (1.32 m ²)	4	1
	560 to 656	4.3	60 (27.2)	36 x 30.3 x 30.3 inches (915 x 770 x 770 mm)	8.9 ft ² (0.83 m ²)	4	1
	656 to 862	4.3	36 (16.3)	29 x 28 x 28 inches (737 x 712 x 712 mm)	6.7 ft ² (0.62 m ²)	4	1
4DR-8-4HO	470 to 560	6.8	176 (79.9)	97 x 36 x 36 inches (2464 x 915 x 915 mm)	28.4 ft ² (2.64 m ²)	8	2
	560 to 656	6.8	120 (54.5)	73 x 30.3 x 30.3 inches (1855 x 770 x 770 mm)	18.2 ft ² (1.69 m ²)	8	2
	656 to 862	6.8	72 (32.7)	59 x 28 x 28 inches (1499 x 712 x 712 mm)	13.6 ft ² (1.26 m ²)	8	2
4DR-16-4HO	470 to 560	9.3	352 (159.7)	195 x 36 x 36 inches (4953 x 915 x 915 mm)	58.5 ft ² (5.43 m ²)	16	4
	560 to 656	9.3	240 (108.9)	147 x 30.3 x 30.3 inches (3734 x 770 x 770 mm)	37.1 ft ² (3.45 m ²)	16	4
	656 to 862	9.3	144 (65.4)	119 x 28 x 28 inches (3023 x 712 x 712 mm)	27.7 ft ² (2.57 m ²)	16	4

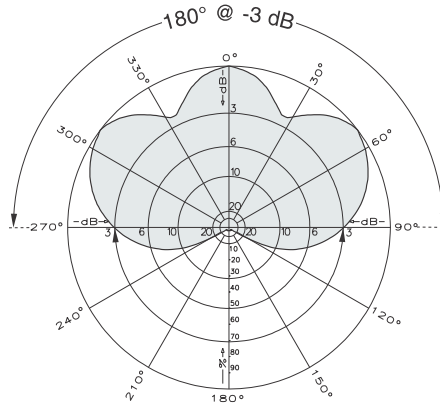
Contact Kathrein Scala Division Sales Engineering for information on special arrays with higher **gain**, **asymmetrical patterns**, **electrical beamtilt**, **null fill**, **multichannel bandwidth**, and other features to meet your specific requirements.

All specifications are subject to change without notice

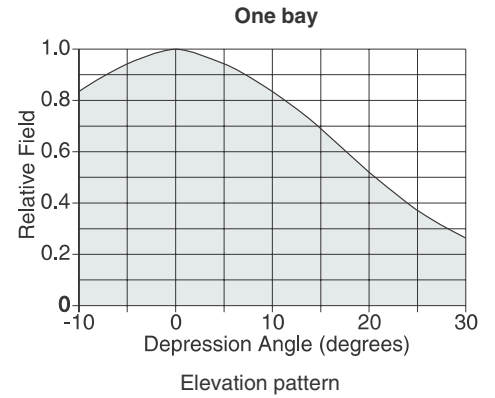
4DR series
PARAPANEL® UHF-TV
ANTENNAS AND ARRAYS
470 to 862 MHz



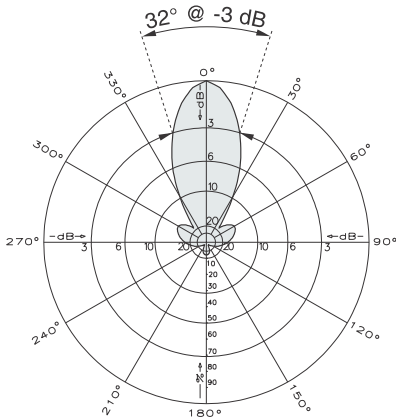
S series
Azimuth pattern



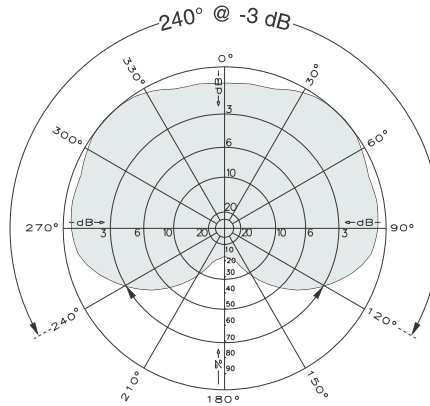
2HW series
Azimuth pattern



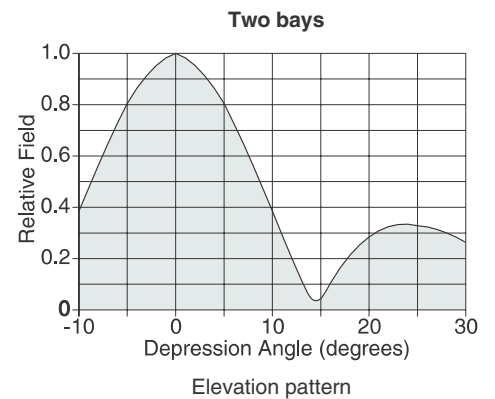
One bay
Elevation pattern



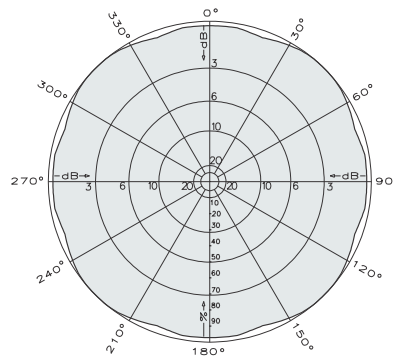
2HN series
Azimuth pattern



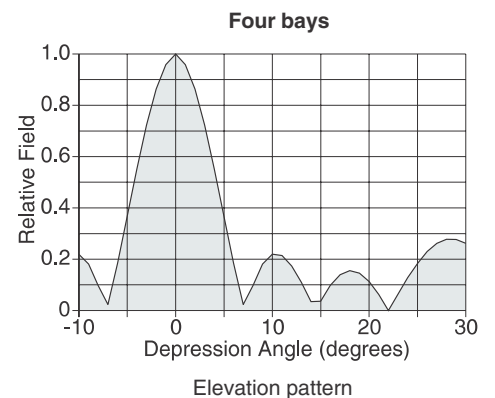
3HC series
Azimuth pattern



Two bays
Elevation pattern



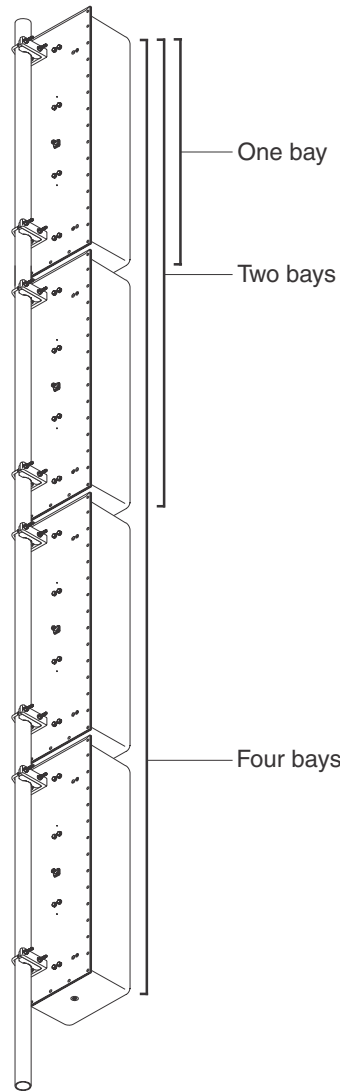
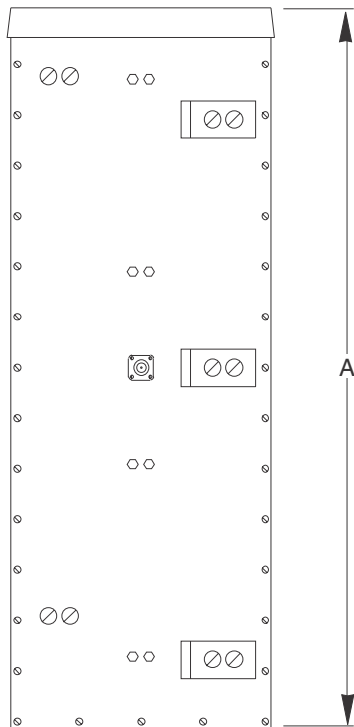
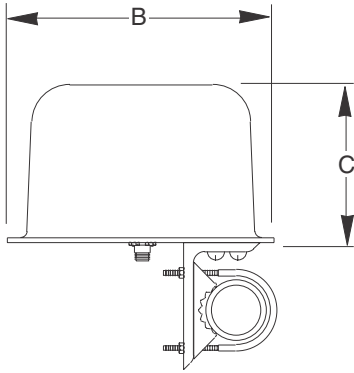
4HO series
Azimuth pattern



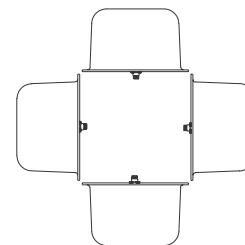
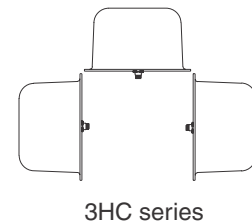
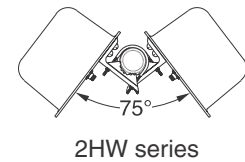
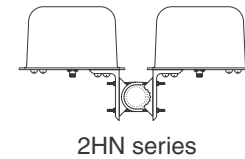
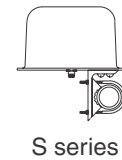
Four bays
Elevation pattern

All specifications are subject to change without notice

4DR series
PARAPANEL® UHF-TV
ANTENNAS AND ARRAYS
470 to 862 MHz



**4DR Array
Top Views**



	A	B	C
470 to 560 MHz	48 inches (1220 mm)	18 inches (458 mm)	9 inches (229 mm)
560 to 656 MHz	36 inches (915 mm)	14.3 inches (364 mm)	8 inches (204 mm)
656 to 862 MHz	29 inches (737 mm)	10.5 inches (267 mm)	7 inches (178 mm)

Order Information:

Contact Kathrein Scala Division Customer Service for order information.

All specifications are subject to change without notice