

4ch Multi Viewer

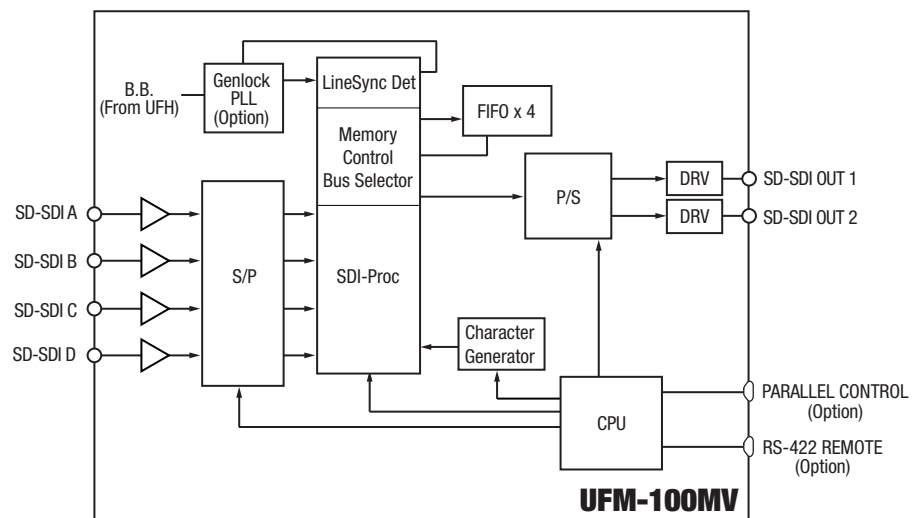
# UFM-100MV

This is a module-type multi-viewer that can be installed in a UFM frame. It divides the screen into sections for displaying four SD-SDI input signals. It comes with many different information display functions including title display, audio level meter display and tally display.

## Features

- 4 SD-SDI inputs and 2 outputs (asynchronous input supported)
- Title display function
- Audio level meter display function (for displaying the levels of up to 4 channels)
- Remote monitoring (SNMP) using network supported  
 (This requires a network interface module inside the frame.)
- Various interfaces supported by expansion circuit board (option)
- Reference input function (signals supplied from UF frame) (option)
- Parallel control (screen display switching, tally input) (option)
- Serial control (screen display switching, title display ON/OFF, audio level display ON/OFF) (option)
- Parallel/serial control supported by expansion circuit board. (option)

## Block Diagram



**4ch  
Multi Viewer**

**SD-SDI  
4in / 2out**

**Title  
Display**

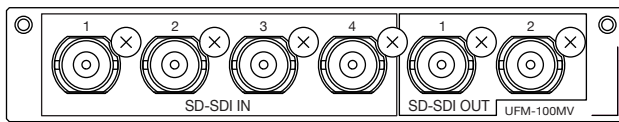
**Audio  
Level Meter  
Display**

**Tally  
display**

## UFM-100MV Specifications

|                              |   |
|------------------------------|---|
| ● Standard                   | 525/60 (NTSC) or 625/50 (PAL) (selectable at menu)  |
| ● Signal Processing          | 4:2:2 component   |
| ● Quantization               | 10-bit  |
| ● Sampling Frequency         | Y: 13.5MHz, C: 6.75MHz  |
| ● Video Input                | Digital component: 270Mbps, 75Ω, 4ea., BNC (no loopthrough)   |
| ● Reference Input (Option)   | BB: 0.429Vp-p (NTSC) / 0.45Vp-p (PAL) (Input through UF frame)  |
| ● Video Output               | Digital component: 270Mbps, 75Ω, 2ea., BNC  |
| ● Interfaces (Option)        | <i>Required Expansion board</i><br>◆REMOTE: 1ea., 25-pin D-sub (female),<br>Input terminal: TTL negative logic pulse or make contact pulse, Output terminal: Open collector negative logic pulse<br>◆RS-422: 1ea., 9-pin D-sub (female) |
| ● Temperature / Humidity     | 10°C - 40°C / 30% - 90% (no condensation)   |
| ● Power / Consumption / Draw | Supply from UFM Frame, +12VDC - +24VDC / +12VDC: 12.0W, +24VDC: 12.5W / +12VDC: 1.0A, +24VDC: 0.52A   |
| ● Dimensions / Weight        | 106 (W) x 303 (D) mm (Front board), 108.5 (W) x 66.1 (D) mm (Rear board) / Approx. 0.8kg (Except for Expansion board)   |
| ● Require Slot               | 1 slot (2 slot: when Expansion board added)   |
| ● Accessories                | Operation manual  |
| ● Option                     | Expansion board   |

## UFM-100MV Rear View



## Universal Frame Line-up

### UF-106A



Universal frame that can install up to 6 UFM modules, provides redundancy and universality, and contributes to reduced system space

### UF-112



Universal frame that can install up to 12 UFM modules, provides redundancy and universality, and supports remote monitoring with installation of control board

## FOR-A COMPANY LIMITED

Head Office : 3-8-1 Ebisu, Shibuya-ku, Tokyo 150-0013, Japan

FOR-A America Corporate Office : 11125 Knott Ave., Suite #A, Cypress, CA 90630, U.S.A.

FOR-A America East Coast Office : 1065 Avenue of the Americas Suite #1701A New York, NY 10018, U.S.A.

FOR-A America Distribution & Service Center : 2400 N.E. Waldo Road, Gainesville, FL 32609, U.S.A.

FOR-A Corporation of Canada : 425 Queen St. W. #211, Toronto, Ontario M5V 2A5, CANADA

FOR-A UK Limited : UNIT C71, Barwell Business Park, Leatherhead Road, Chessington Surrey, KT9 2NY, U.K.

FOR-A Italia S.r.l. : Viale Europa 50 20093, Cologno Monzese (MI), Milan, ITALY

FOR-A Corporation of Korea : 801 Dongsan Bld., 53-1 Dongsan-Dong, Youngdeungpo-Gu, Seoul 150-800, Korea

Homepage: <http://www.for-a.com/>

+81 (0)3-3446-3936 Fax : +81 (0)3-3446-1470

+1 714-894-3311 Fax : +1 714-894-5399

+1 212-861-2758 Fax : +1 212-861-2793

+1 352-371-1505 Fax : +1 352-378-5320

+1 416-977-0343 Fax : +1 416-977-0657

+44 (0)20-8391-7979 Fax : +44 (0)20-8391-7978

+39 02-254-3635/6 Fax : +39 02-254-0477

+82 (0)2-2637-0761 Fax : +82 (0)2-2637-0760

